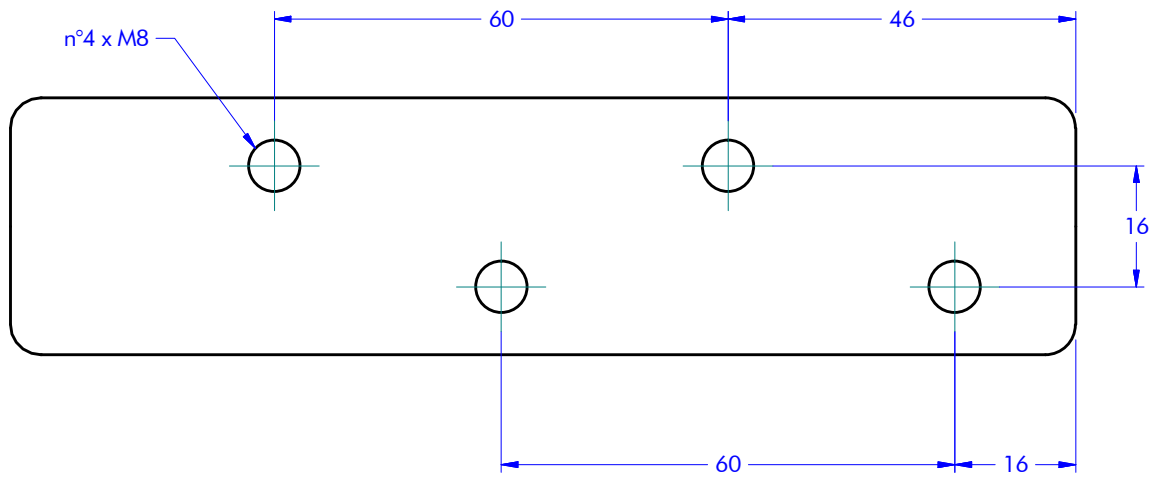


A-A (1:1)



**antal**

1	CATEGORY	Clutches	2	FAMILY	DV Jammer	MODEL CODE	505.102	SWL	0.79 kg
	3	ARTICLE		DV Jammer Remote contrler	DATE		08/11/2016	SCALE	1 : 2

www.antal.it - antal@antal.it