

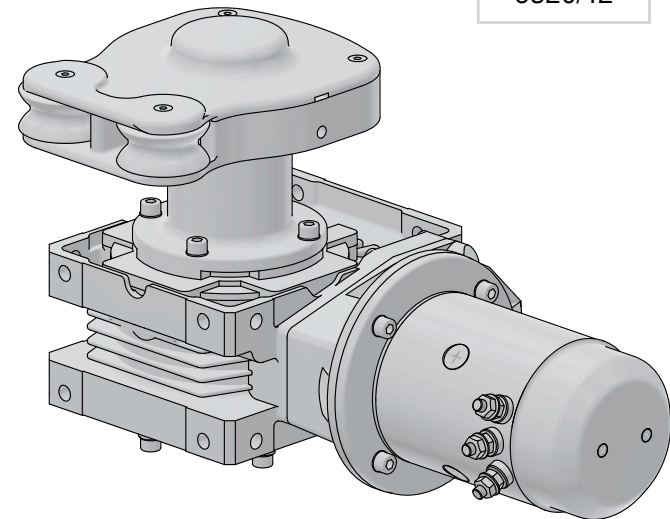
Powered Line Driver
Car End Stop Control
Electrical connections

Date 05/2019 Rev. 03



12 Volt
6320/12

24 Volt
6320/24



www.antal.it

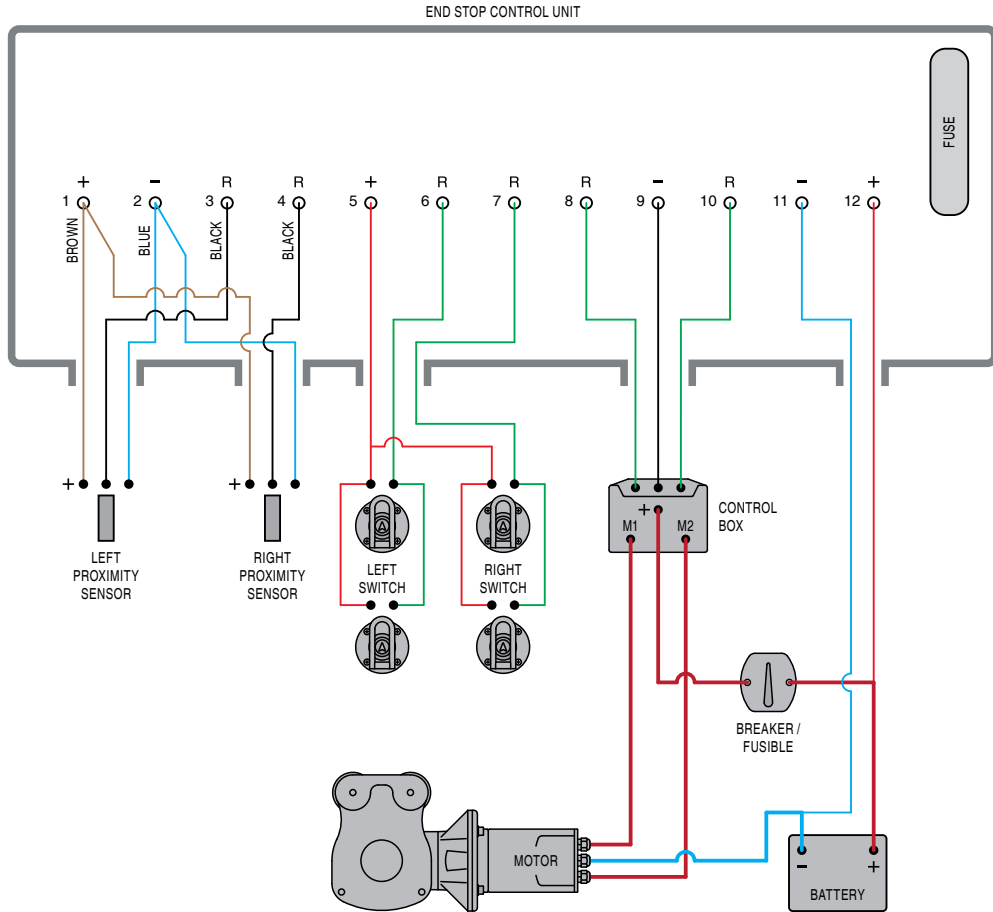
antal

Antal - Via del Progresso, 10 - 35127 Padova - Italy - www.antal.it
Tel. +39 049 8701265 / 8702655 - Fax: +39 049 760906 - antal@antal.it

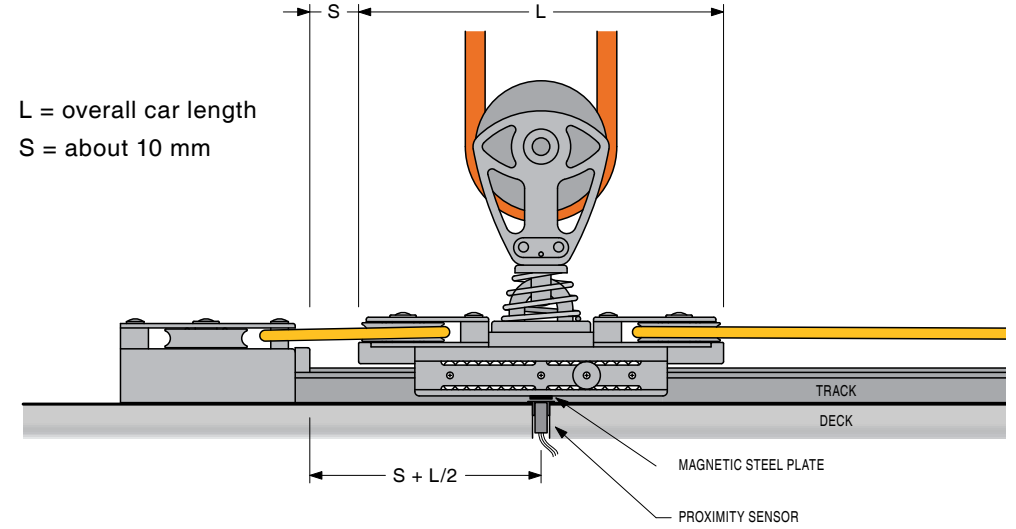
End Stop Control

To avoid overloads due to wrong operations, a car end stop control is available on request, it includes: two proximity switches and one end stop control unit.

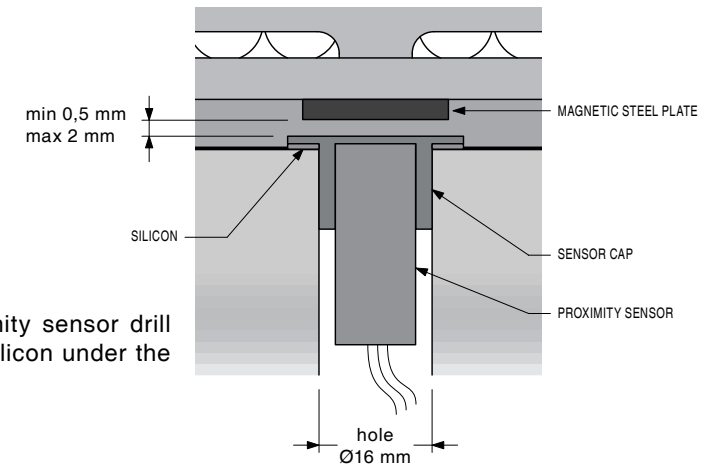
The car stops automatically at the the track ends.



⚠ If the motor turns in the wrong direction exchange 8 with 10; never exchange 3 with 4 or 6 with 7 !



Antal cars can be supplied with a s.steel plate that is necessary to activate the proximity sensor.



For mounting the proximity sensor drill a 16 mm hole and use silicon under the sensor cap.