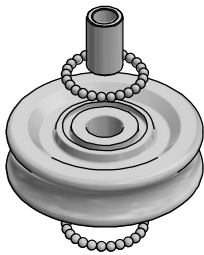
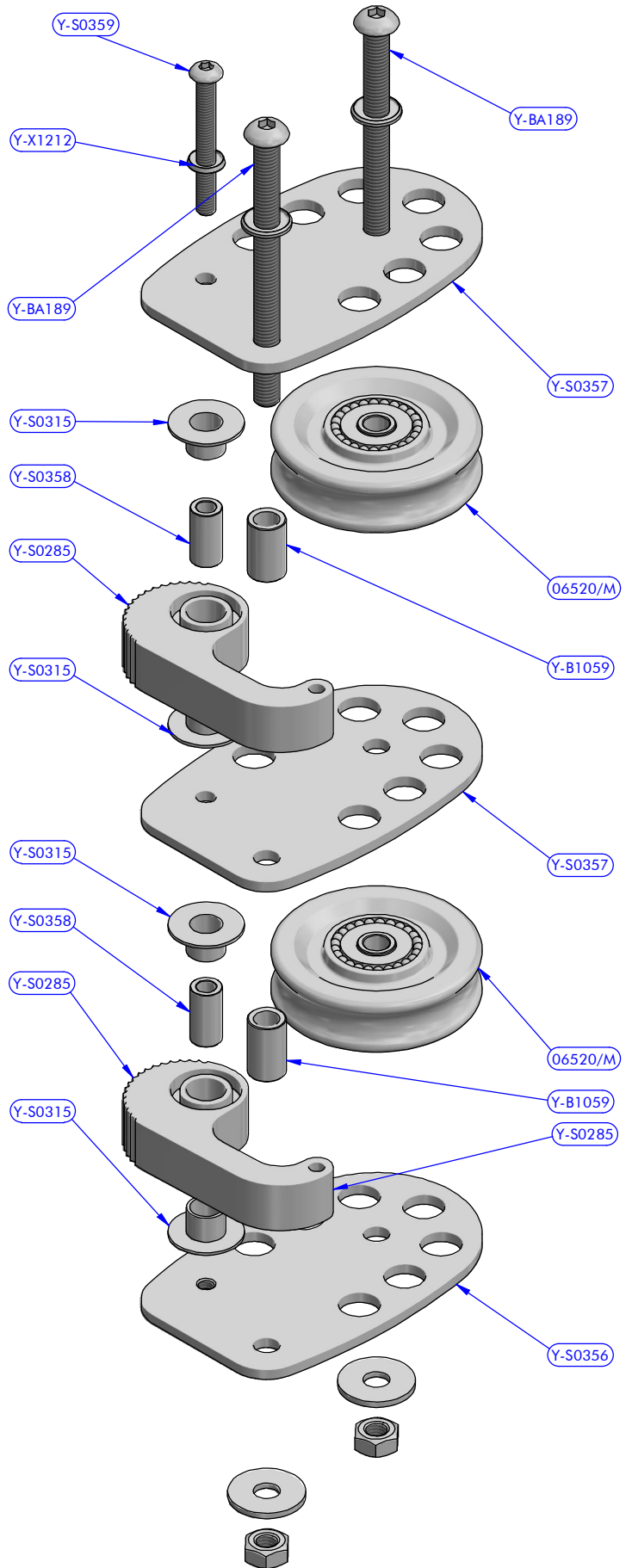
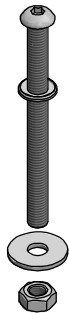


Cod.06520/M  
Sheave



Cod.Y-BA189  
Screw kit



PART LIST

CODE	DESCRIPTION	MATERIAL	Q.TY
Y-S0356	Lower cheekplate	Aluminium	1
Y-S0357	Upper cheekplate	Aluminium	2
Y-X1212	Washer	Plastic	1
Y-S0359	Screw	S.Steel	1
Y-B1059	Pipe spacer	S.Steel	2
Y-S0358	Pipe spacer	S.Steel	2
06520/M	Sheave	Various	2
Y-BA189	Screw kit	Various	2
Y-S0285	Locking cam	Aluminium	2
Y-S0315	Bushing	Plastic	4

**antal**

Stopper deck-blocks

Stopper deck block

FAMILY

ARTICLE

DESCRIPTION

Exploded view

**852.065/RIGHT**

MODEL CODE

29/07/2020

DATE

01

REV.

19091102

DWG N.

1 / 1

PG.