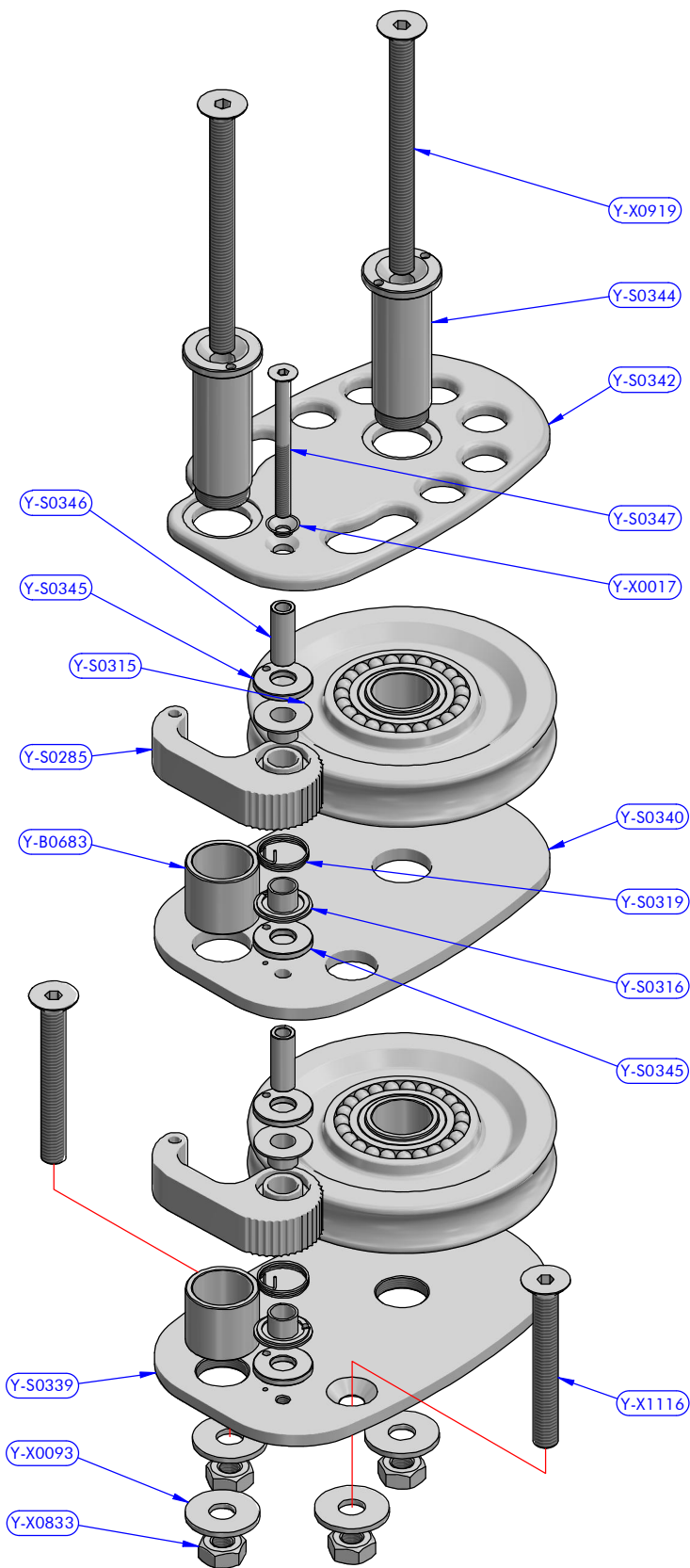
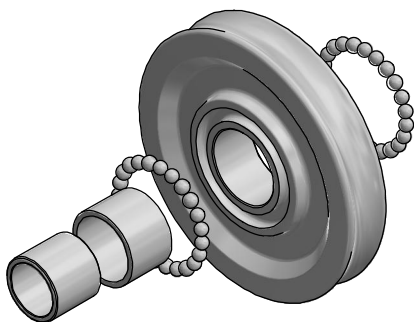


Cod.12426/F  
Sheave



PART LIST

| CODE    | DESCRIPTION       | MATERIAL        | Q.TY |
|---------|-------------------|-----------------|------|
| SFD000  | Delrin ball 1/4"  | Plastic         | 92   |
| Y-B0683 | Pipe spacer       | S.Steel         | 4    |
| Y-B1351 | Sheave body       | Mekton          | 2    |
| Y-S0285 | Locking cam       | Aluminium       | 2    |
| Y-S0315 | Bushing           | Plastic         | 2    |
| Y-S0316 | Bushing           | Plastic         | 2    |
| Y-S0319 | Torsion spring    | S.Steel         | 2    |
| Y-S0339 | Lower cheekplate  | Aluminium       | 1    |
| Y-S0340 | Middle cheekplate | Aluminium       | 1    |
| Y-S0342 | Upper cheekplate  | Aluminium       | 1    |
| Y-S0344 | Cap               | Aluminium       | 2    |
| Y-S0345 | Spacer            | Mekton          | 4    |
| Y-S0346 | Pipe spacer       | S.Steel         | 2    |
| Y-S0347 | Screw             | S.Steel         | 1    |
| Y-X0017 | Screw bushing     | Mekton          | 1    |
| Y-X0093 | Washer            | S.Steel         | 4    |
| Y-X0362 | C.F. main bushing | Composite Fibre | 2    |
| Y-X0833 | Nut               | S.Steel         | 4    |
| Y-X0919 | Screw             | S.Steel         | 2    |
| Y-X1116 | Screw             | S.Steel         | 2    |

**antal**

Stopper deck-blocks

Stopper deck block

**852.125/LEFT**

06/09/2019

00

FAMILY

ARTICLE

DATE

REV.

DESCRIPTION

Exploded view

MODEL CODE

DWG N.

19090600

1 / 1

PG.