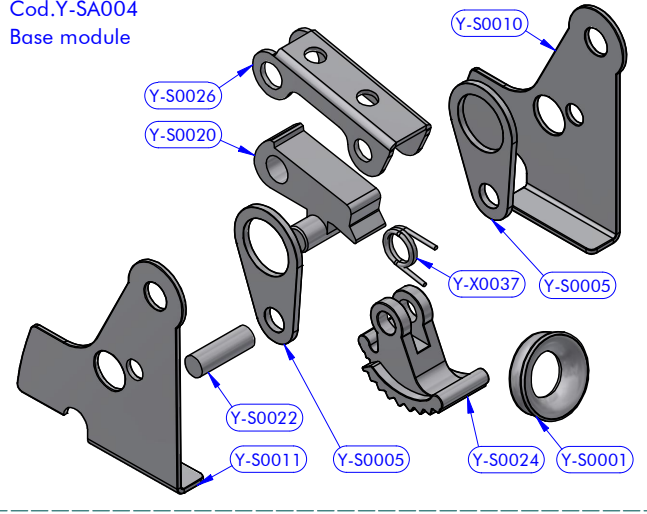
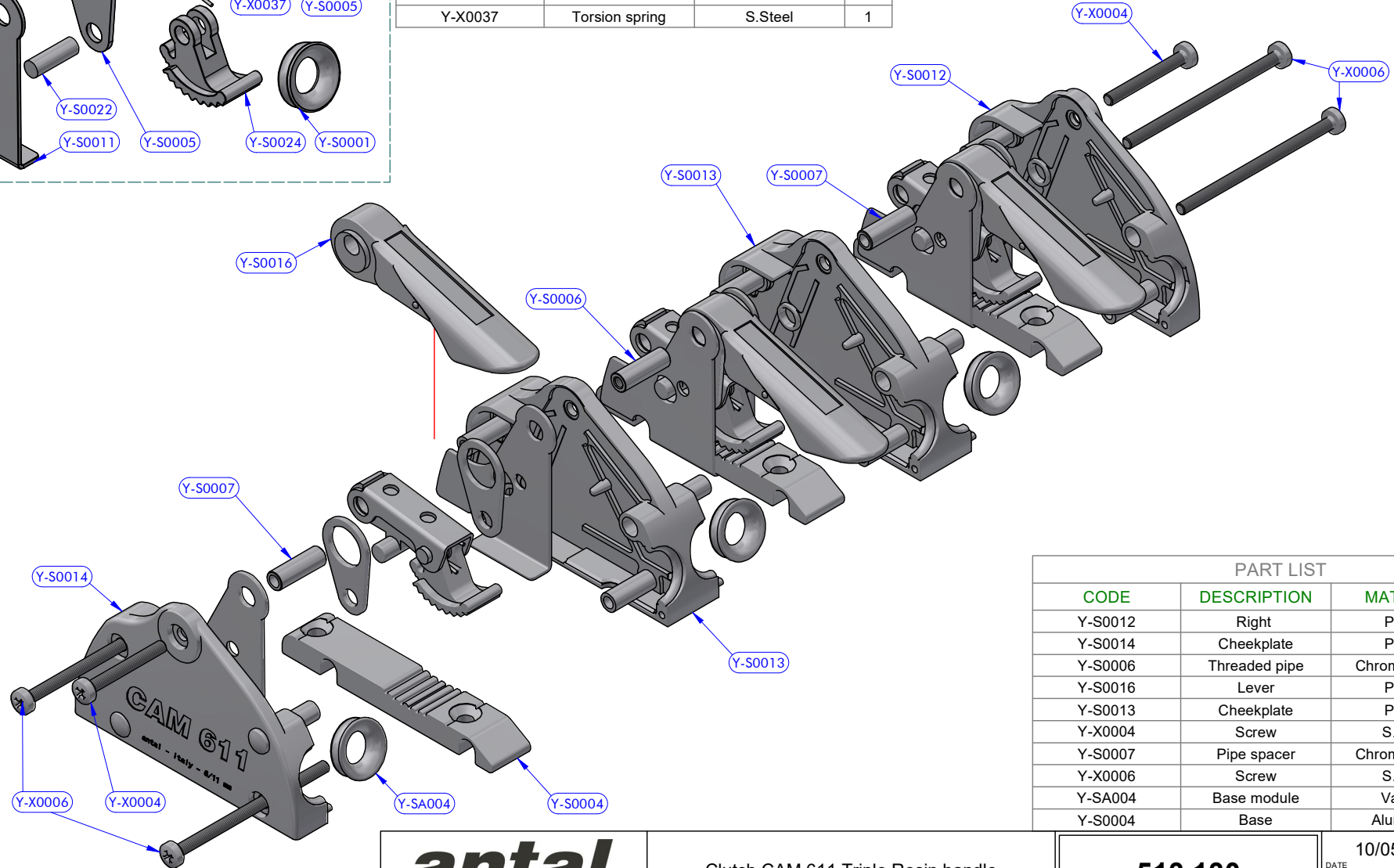


Cod.Y-SA004
Base module



PART LIST - Y-SA004

CODE	DESCRIPTION	MATERIAL	Q.TY
Y-S0001	Ring	Chromed brass	1
Y-S0005	Connecting rod	Aluminium	2
Y-S0010	Reinforcement plate	S.Steel	1
Y-S0011	Reinforcement plate	S.Steel	1
Y-S0020	Cam bracket	Plastic	1
Y-S0022	Cylinder pin	S.Steel	1
Y-S0024	Cam-cleat	Chromed brass	1
Y-S0026	Cam bracket	S.Steel	1
Y-X0037	Torsion spring	S.Steel	1



PART LIST			
CODE	DESCRIPTION	MATERIAL	Q.TY
Y-S0012	Right	Plastic	1
Y-S0014	Cheekplate	Plastic	1
Y-S0006	Threaded pipe	Chromed brass	1
Y-S0016	Lever	Plastic	3
Y-S0013	Cheekplate	Plastic	2
Y-X0004	Screw	S.Steel	2
Y-S0007	Pipe spacer	Chromed brass	2
Y-X0006	Screw	S.Steel	4
Y-SA004	Base module	Various	3
Y-S0004	Base	Aluminium	3



DESCRIPTION
Clutch CAM 611 Triple Resin handle

MODEL CODE
513.130

DATE	10/05/2023	REV.	00
DWG N.	19053104	PG.	1 / 1