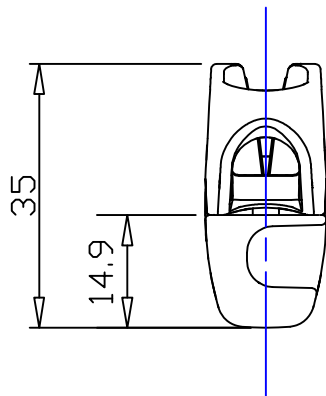
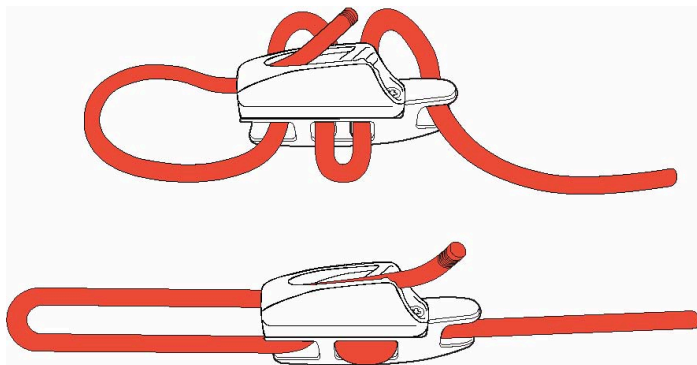
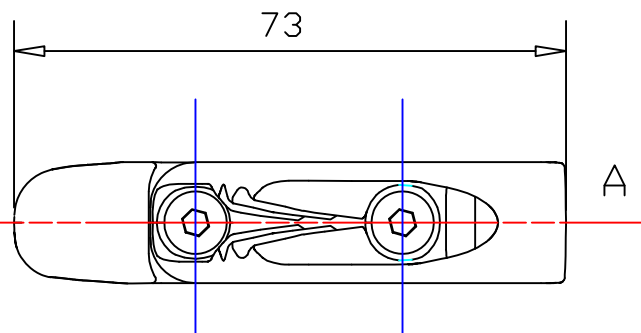
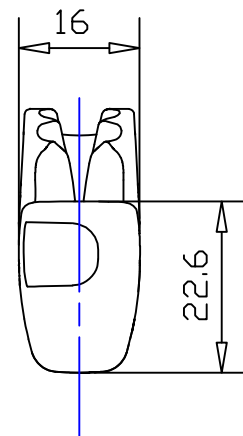
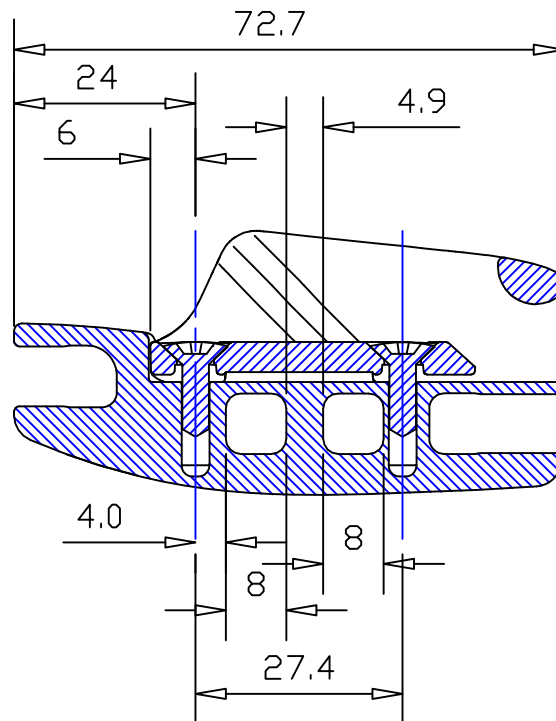


Ø 4-6MM
5/32"-1/4"



Section 'A-A'



Clamcleat®
Rope cleats

Clamcleats Limited
Watchmead
Welwyn Garden City
Hertfordshire AL7 1AP
England
Telephone +44 (0)1707 330101
Fax +44 (0)1707 321269
Email sales@clamcleat.com
www.clamcleat.com



Scale 1:1
All dimensions in mm.

Issue: 2 Jan 2010
ID826.dwg

Material:
Diecast Aluminium

Installation Drawing for:-

CL826-11

Aero Cleat