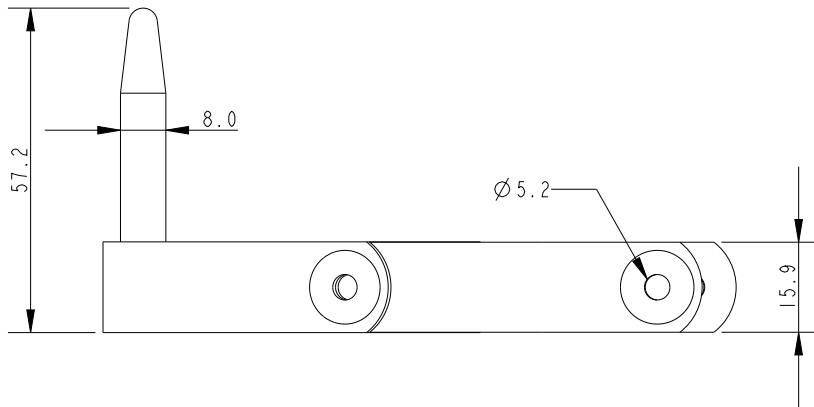


SCALE 3:4



DIMENSIONS FOR REFERENCE ONLY
allenbrothers.co.uk
 +44(0)1621 772477

Specification

Fixing Hole Dia mm	Width mm	Hole/Pin Dia mm	Pin Length mm	Length	Distance From Stock To Pin mm	Weight g
5	23	7.8	40	89	18	88

Title	Description
A4017-23-REF	Rudder Pintle