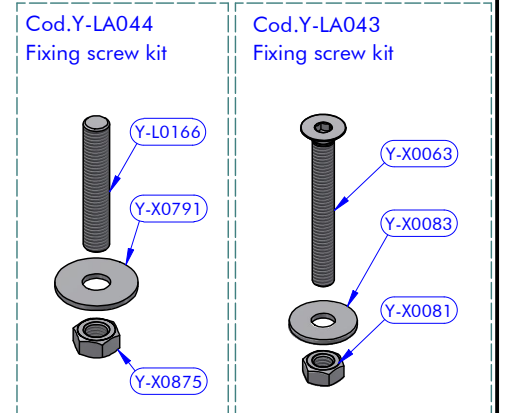


PART LIST			
CODE	DESCRIPTION	MATERIAL	Q.TY
Y-L0167	Custom screw	S.Steel	1
SFD000	Delrin ball	Plastic	1
Y-X0099	Compression spring	S.Steel	1
Y-X0095	Flat point set screw	S.Steel	1
Y-X0223	Screw	S.Steel	2
Y-L0134	Body	Aluminium	1
Y-L0138	Main shaft	Aluminium	1
Y-L0144	Horn	Aluminium	2
Y-L0148	Base	Aluminium	1
Y-LA044	Fixing screw kit		2
Y-LA043	Fixing screw kit		2
Y-X0100	O-Ring	Rubber	2



Roller cleat Size 290

RC290B

DATE	16/05/2023	REV.	02
DWG N.	19032015	PG.	1 / 1