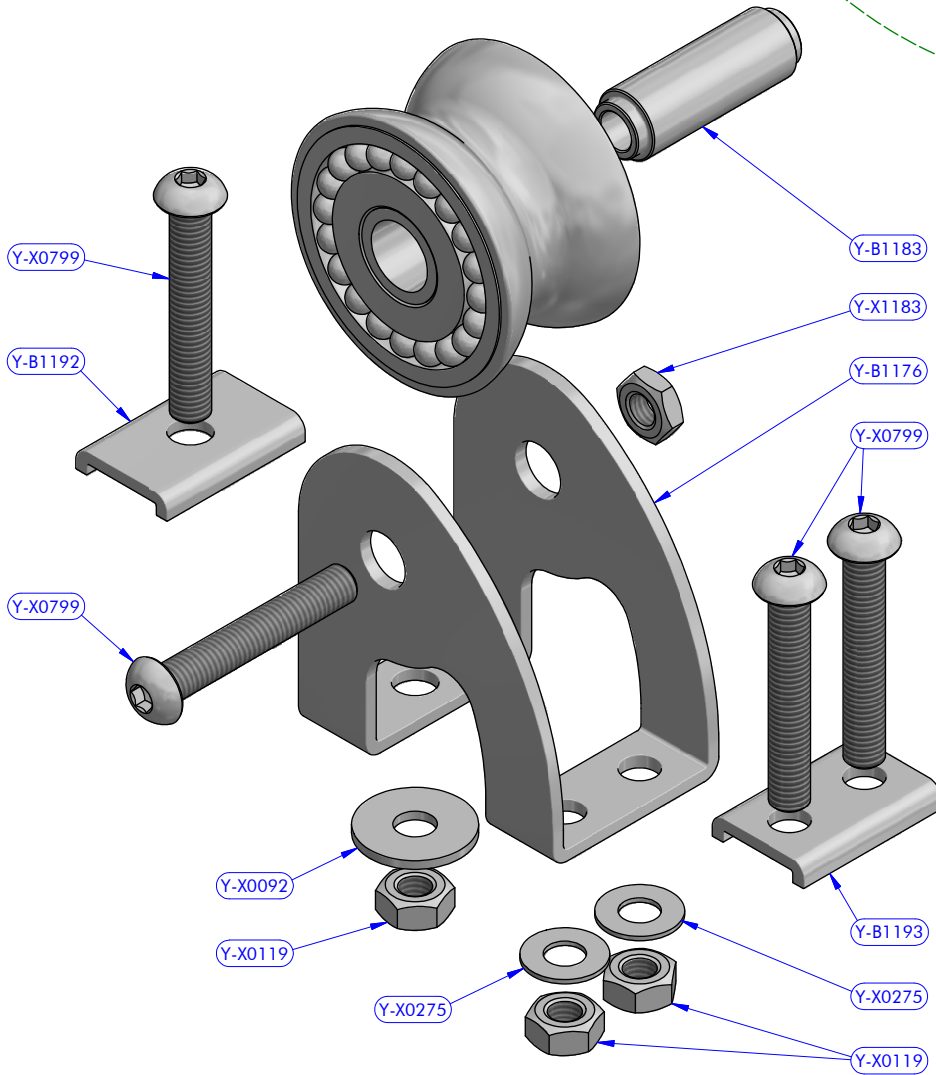


MOD. 801.060



PART LIST			
CODE	DESCRIPTION	MATERIAL	Q.TY
SFT000	Torlon ball 1/4"	Plastic	40
Y-B0488	Tulip Sheave	Aluminium	1
Y-B1176	Cheekplate	S.Steel	1
Y-B1183	Spacer	S.Steel	1
Y-B1192	Fixing plate	S.Steel	1
Y-B1193	Fixing plate	S.Steel	1
Y-X0092	Washer	S.Steel	1
Y-X0119	Nut	S.Steel	3
Y-X0275	Washer	S.Steel	2
Y-X0314	C.F. main bushing	Composite Fibre	2
Y-X0799	Screw	S.Steel	4
Y-X1183	Nut	S.Steel	1

**antal**

Tulip Series  
FAMILY  
 Vertical Tulip block  
ARTICLE  
 Exploded view  
DESCRIPTION

**817.060**  
MODEL CODE

19/03/2019  
DATE  
 18093024  
DWG N.  
 00  
REV.  
 1 / 1  
PG.