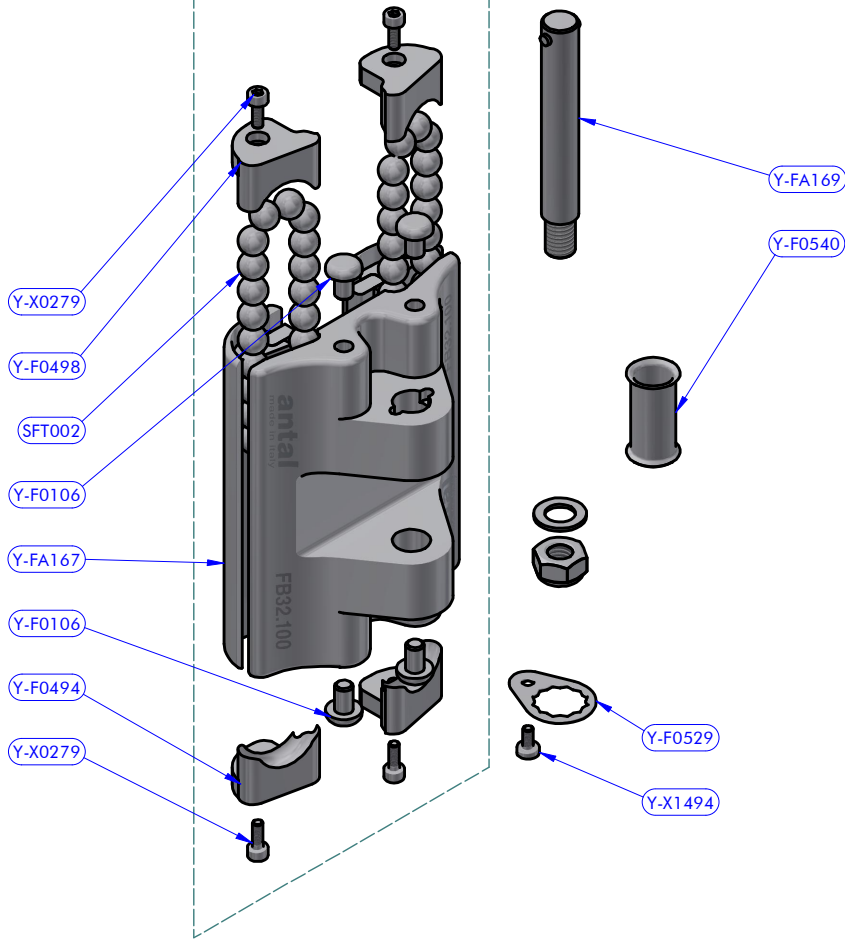
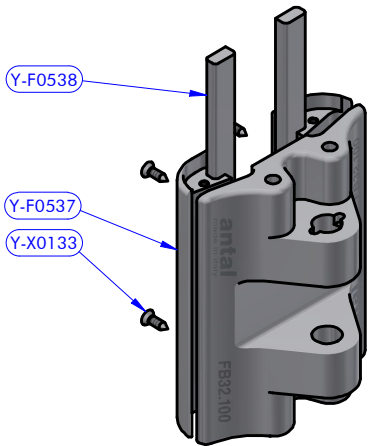


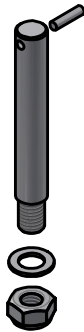
Cod.Y-FA168
Base module



Cod.Y-FA167
Slider corps + Fibre guide



Cod.Y-FA169
Threaded pin kit



PART LIST

CODE	DESCRIPTION	MATERIAL	Q.TY
Y-FA168	Base module	Various	1
Y-F0540	Bearing roller	S.Steel	1
Y-FA169	Threaded pin kit	S.Steel	1
Y-F0529	Exagonal washer	S.Steel	1
Y-X1494	Screw	S.Steel	1

PART LIST - Y-FA168

CODE	DESCRIPTION	MATERIAL	Q.TY
Y-FA167	Slider corps + Fibre guide	Various	1
Y-F0494	Front cap	Plastic	2
Y-F0498	Front cap	Plastic	2
Y-X0279	Screw	S.Steel	4
Y-F0106	Shockproof rubber	Rubber	4
SFT002	Torlon ball	Torlon	44

PART LIST - Y-FA167

CODE	DESCRIPTION	MATERIAL	Q.TY
Y-F0537	Slider corps	Aluminium	1
Y-F0538	Fibre guide	Composite fibre	2
Y-X0133	Screw	S.Steel	4

antal

Simple slider FB32 L100

FB32.100S

14/03/2023

DATE REV.

23031414

DWG N. PG.

1 / 1

DESCRIPTION

MODEL CODE

DWG N.

PG.