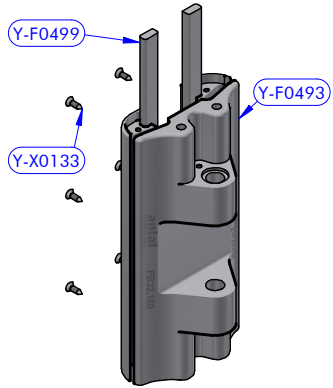
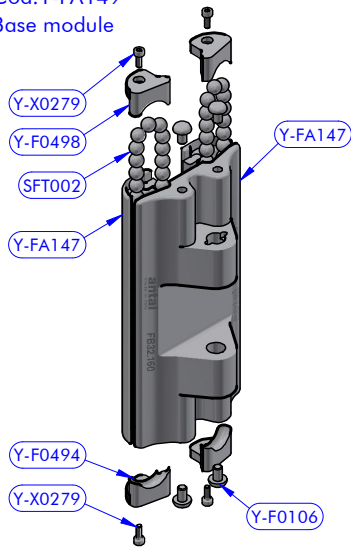


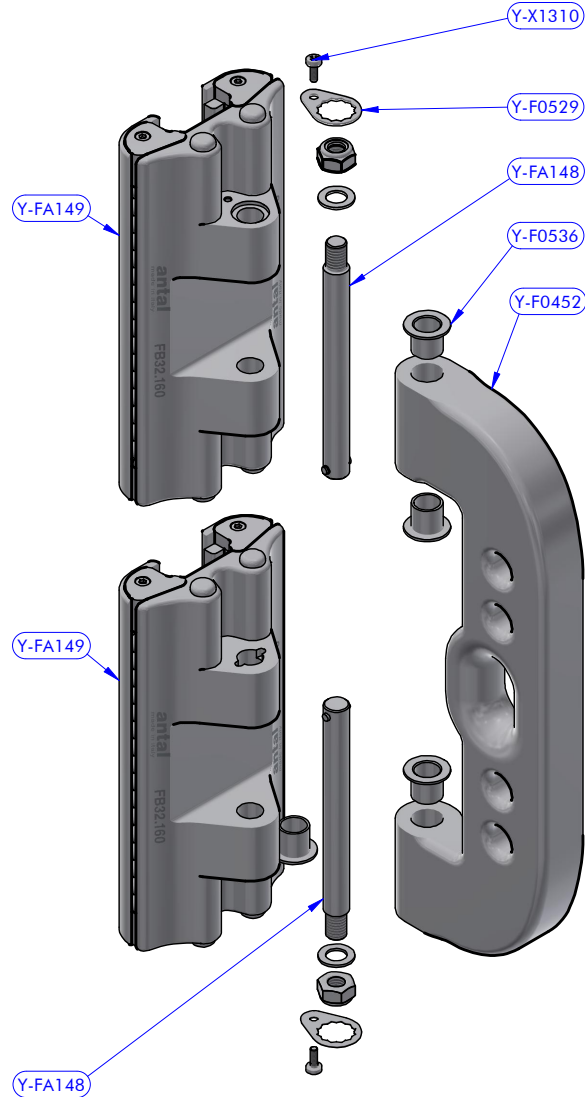
Cod.Y-FA147
Slider corps + Fibre guide



Cod.Y-FA149
Base module



Cod.Y-FA148
Threaded pin kit



PART LIST

CODE	DESCRIPTION	MATERIAL	Q.TY
Y-F0452	Bracket	Aluminium	1
Y-F0529	Exagonal washer	S.Steel	2
Y-F0536	Bushing	Chromed brass	4
Y-FA148	Threaded pin kit	S.Steel	2
Y-FA149	Base module	Various	2
Y-X1310	Screw	S.Steel	2

PART LIST - Y-FA149

CODE	DESCRIPTION	MATERIAL	Q.TY
SFT002	Torlon ball	Torlon	74
Y-F0106	Shockproof rubber	Rubber	4
Y-F0494	Front cap	Plastic	2
Y-F0498	Front cap	Plastic	2
Y-FA147	Slider corps + Fibre guide	Various	1
Y-X0279	Screw	S.Steel	4

PART LIST - Y-FA147

CODE	DESCRIPTION	MATERIAL	Q.TY
Y-F0493	Slider corps	Aluminium	1
Y-F0499	Fibre guide	Composite fibre	2
Y-X0133	Screw	S.Steel	6

00	20/03/2023	Versione originale	Luca
Rev	Data	Commento	Approvatore
DESCRIPTION		MODEL CODE	DATE
Headboard Double FB32 2x L160 + Soft-Link connection Black		FB32.160DX	17/03/2023
		DWG N.	REV.
		23031704	1 / 1
		PG.	

antal