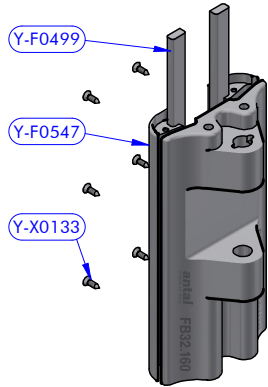
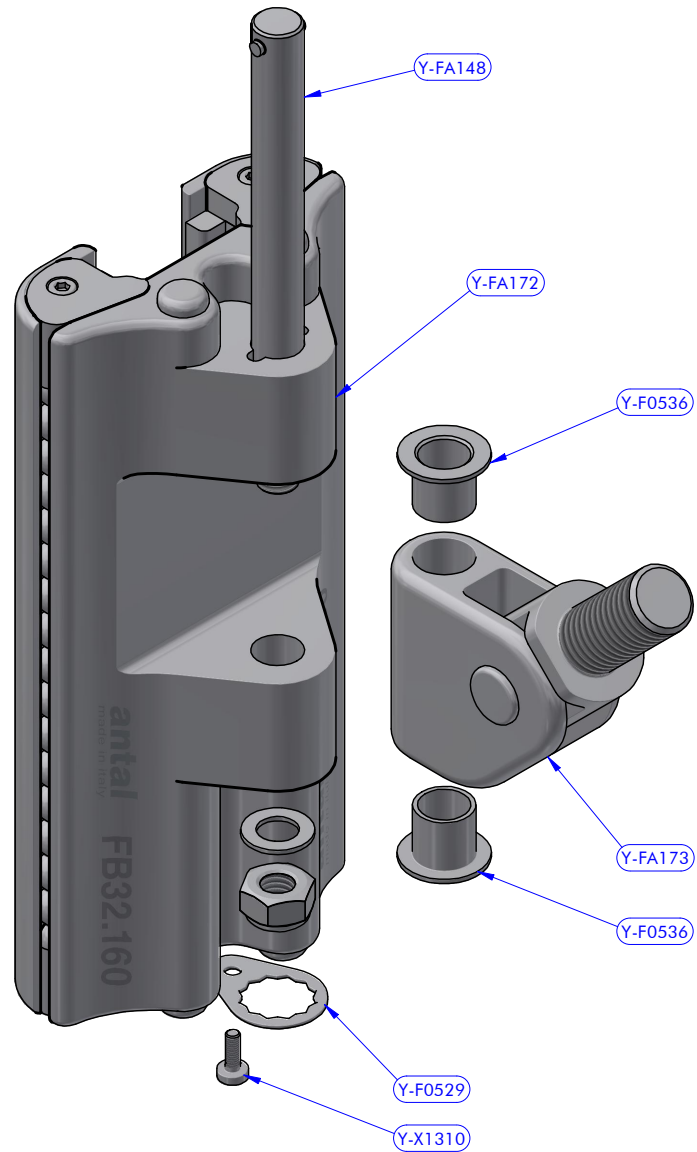
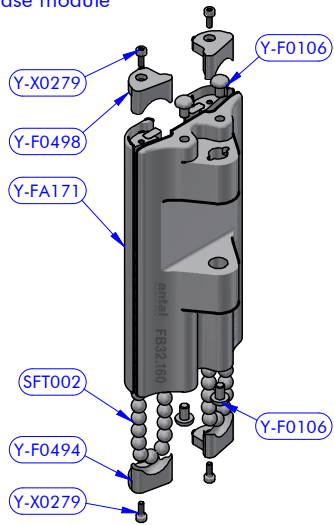


Cod.Y-FA171
Slider corps + Fibre guide



Cod.Y-FA172
Base module



PART LIST			
CODE	DESCRIPTION	MATERIAL	Q.TY
Y-F0529	Exagonal washer	S.Steel	1
Y-F0536	Bushing	Chromed brass	2
Y-FA148	Threaded pin kit	S.Steel	1
Y-FA172	Base module	Various	1
Y-FA173	Triaxial joint	Various	1
Y-X1310	Screw	S.Steel	1
PART LIST - Y-FA172			
CODE	DESCRIPTION	MATERIAL	Q.TY
SFT002	Torlon ball	Torlon	74
Y-F0106	Shockproof rubber	Rubber	4
Y-F0494	Front cap	Plastic	2
Y-F0498	Front cap	Plastic	2
Y-FA171	Slider corps + Fibre guide	Various	1
Y-X0279	Screw	S.Steel	4
PART LIST - Y-FA171			
CODE	DESCRIPTION	MATERIAL	Q.TY
Y-F0499	Fibre guide	Composite fibre	2
Y-F0547	Slider corps	Aluminium	1
Y-X0133	Screw	S.Steel	6
PART LIST - Y-FA173			
CODE	DESCRIPTION	MATERIAL	Q.TY
Y-F0496	Threaded pin	S.Steel HR	1
Y-F0497	Cylinder pin	S.Steel	1
Y-F0548	Joint cheekplate	S.Steel	1



Slider with joint FB32 series L160 Pin
M14 x 28 asimmetric

FB32.160JA14

11/03/2022
DATE
22031140
DWG N.
REV.
1 / 1
PG.