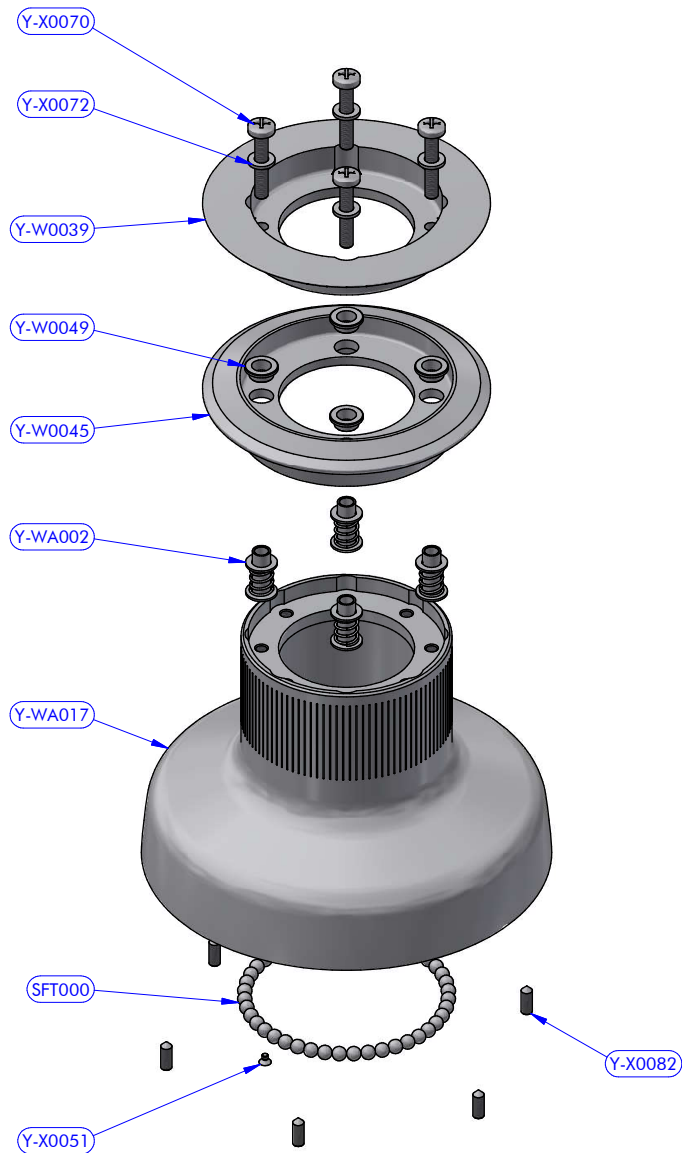
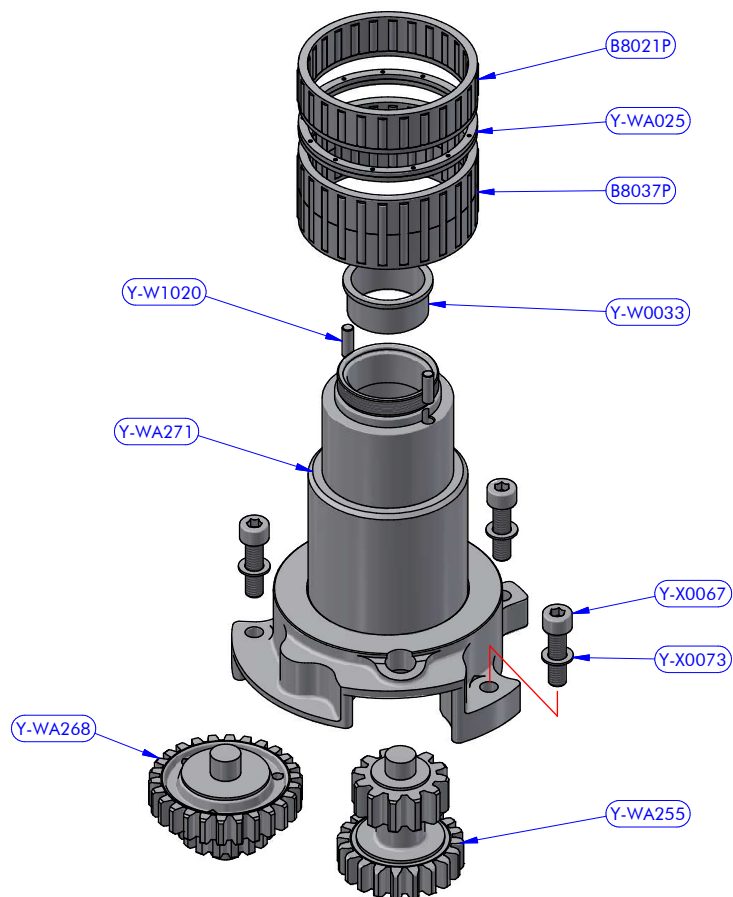


PART LIST			
CODE	DESCRIPTION	MATERIAL	Q.TY
Y-W0006	Upper ring washer	Plastic	1
Y-W0015	Stripper	Plastic	1
Y-W0143	ST plug	Plastic	4
Y-W0154	I.D. tag	Aluminium	1
Y-W0156	Skirt	Aluminium	1
Y-W0721	Opening Tool	S.Steel	1
Y-W0920	Upper disk	Aluminium	1
Y-W1015	Upper cap	Aluminium	1
Y-W1020	Cylinder pin	S.Steel	2
Y-W1076	Self-tailing arm	Aluminium	1
Y-WA263	Drum + ST disks assy	Various	1
Y-WA270	Main shaft assy	Various	1
Y-WA272	Base + Gears assy	Various	1
Y-X0055	Screw	S.Steel	1

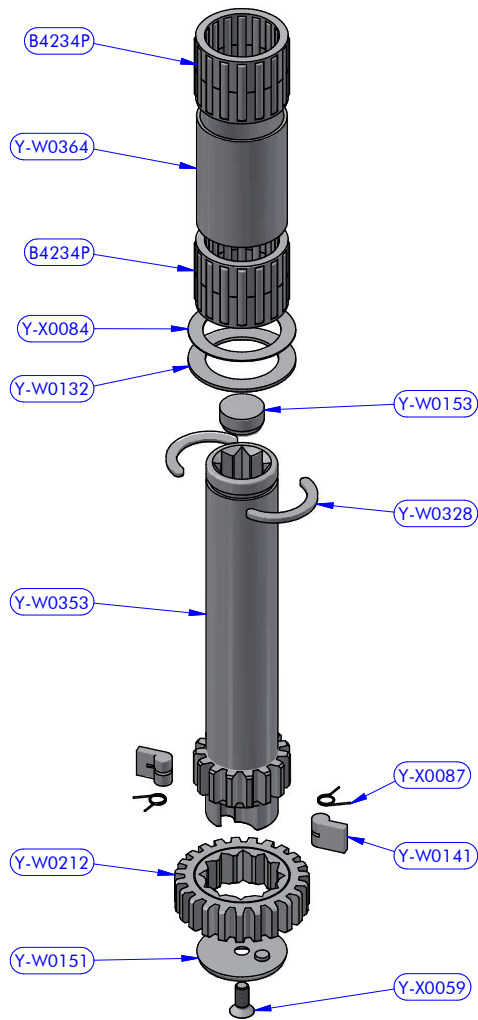


Y-WA263 - PART LIST			
CODE	DESCRIPTION	MATERIAL	Q.TY
SFT000	Torlon ball	Torlon	44
Y-W0039	ST central disk	Aluminium	1
Y-W0045	ST lower disk	Aluminium	1
Y-W0049	ST disk bush	Plastic	4
Y-WA002	ST-spring assy	S.Steel	4
Y-WA017	Drum + Toothed Crown	Aluminium	1
Y-X0051	Screw	S.Steel	1
Y-X0070	Screw	S.Steel	4
Y-X0072	S.steel washer	S.Steel	4
Y-X0082	Cone point set screw	S.Steel	6

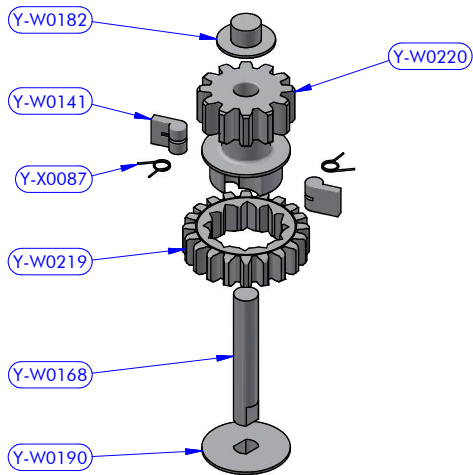


Y-WA272 - PART LIST

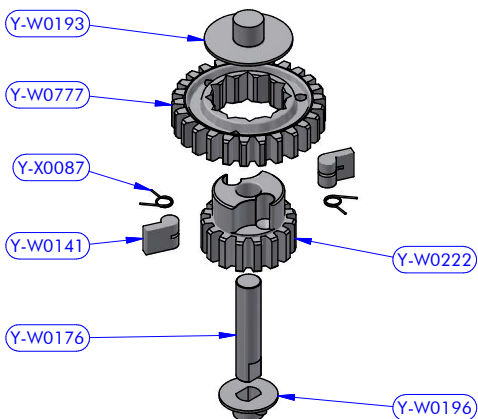
CODE	DESCRIPTION	MATERIAL	Q.TY
B8021P	Roller bearing	Plastic / Peek	1
B8037P	Roller bearing	Plastic / Peek	1
Y-W0033	Main-shaft bushing	Plastic	1
Y-W1020	Cylinder pin	S.Steel	2
Y-WA025	Spacer	Plastic	1
Y-WA255	Gears kit	Various	1
Y-WA268	Gears kit	Various	1
Y-WA271	Base + Stem	Aluminium	1
Y-X0067	Screw	S.Steel	4
Y-X0073	S.Steel washer	S.Steel	4



Y-WA270 - PART LIST			
CODE	DESCRIPTION	MATERIAL	Q.TY
B4234P	Roller bearing	Plastic / Peek	2
Y-W0132	S.Steel washer	S.Steel	1
Y-W0141	Pawl	S.Steel	2
Y-W0151	Shaft cap	Plastic	1
Y-W0153	Shaft cap	POM-C	1
Y-W0212	Gear "A2"	Bronze	1
Y-W0328	Half-ring	Chromed brass	2
Y-W0353	Main shaft	S.Steel	1
Y-W0364	Pipe spacer	Plastic	1
Y-X0059	Screw	S.Steel	1
Y-X0084	Washer	Tufnol	1
Y-X0087	Torsion spring	S.Steel	2



Y-WA255 - PART LIST			
CODE	DESCRIPTION	MATERIAL	Q.TY
Y-W0141	Pawl	S.Steel	2
Y-W0168	Gear axis	S.Steel	1
Y-W0182	Gear upper washer	Plastic	1
Y-W0190	Gear lower washer	Plastic	1
Y-W0219	Gear "B1"	Bronze	1
Y-W0220	Gear "B2"	Bronze	1
Y-X0087	Torsion spring	S.Steel	2



Y-WA268 - PART LIST			
CODE	DESCRIPTION	MATERIAL	Q.TY
Y-W0141	Pawl	S.Steel	2
Y-W0176	Gear axis	S.Steel	1
Y-W0193	Gear upper washer	Plastic	1
Y-W0196	Gear lower washer	Plastic	1
Y-W0222	Gear "D2"	Bronze	1
Y-W0777	Gear "D1"	Bronze	1
Y-X0087	Torsion spring	S.Steel	2