

PART LIST			
CODE	DESCRIPTION	MATERIAL	Q.TY
B4219P	Roller bearing	Plastic / Peek	3
SFD000	Delrin ball	Plastic	59
Y-W0016	Stripper	Plastic	1
Y-W0069	Gear axis	S.Steel HR	1
Y-W0132	S.Steel washer	S.Steel	1
Y-W0141	Pawl	S.Steel	2
Y-W0151	Shaft cap	Plastic	1
Y-W0154	I.D. tag	Aluminium	1
Y-W0224	Gear "A2"	Bronze	1
Y-W0328	Half-ring	Chromed brass	2
Y-W0364	Pipe spacer	Plastic	1
Y-W0546	Satellite gear	Bronze	1
Y-W0547	Upper cap	Aluminium	1
Y-W0549	Knob	Aluminium	1
Y-W0550	Square pipe	Aluminium	1
Y-W0721	Opening Tool	S.Steel	1
Y-W1113	Flat point set screw	Peek	1
Y-W1114	ST upper disk	Aluminium	1
Y-W1409	Lower shaft	S.Steel	1
Y-W1412	Main shaft	Aluminium	1
Y-W1414	Stem extension	Aluminium	1
Y-W1417	Drawcord	Dyneema	1
Y-W1418	Self-tailing arm	Aluminium	1
Y-W1419	Upper ring washer	Plastic	1
Y-WA058	Base module	Various	1
Y-WA278	Base + Gears assy	Various	1
Y-WA279	Drum + ST disks assy	Various	1
Y-X0055	Screw	S.Steel	1
Y-X0063	Screw	S.Steel	1
Y-X0084	Washer	Tufnol	1
Y-X0087	Torsion spring	S.Steel	2
Y-X0215	Screw	S.Steel	3
Y-W1421	S.Steel washer	S.Steel	1
Y-W1422	C.F. washer	Tufnol	1
Y-W1416	Skirt	Aluminium	1
Y-W1020	Cylinder pin	S.Steel	2

antal
00
version

antal

DESCRIPTION

Winch XT53 - Power 52,8:1 - 2 + 1
speeds - Race + Lightened

MODEL CODE

XT53.3RD

DATE

10/10/2023

REV.

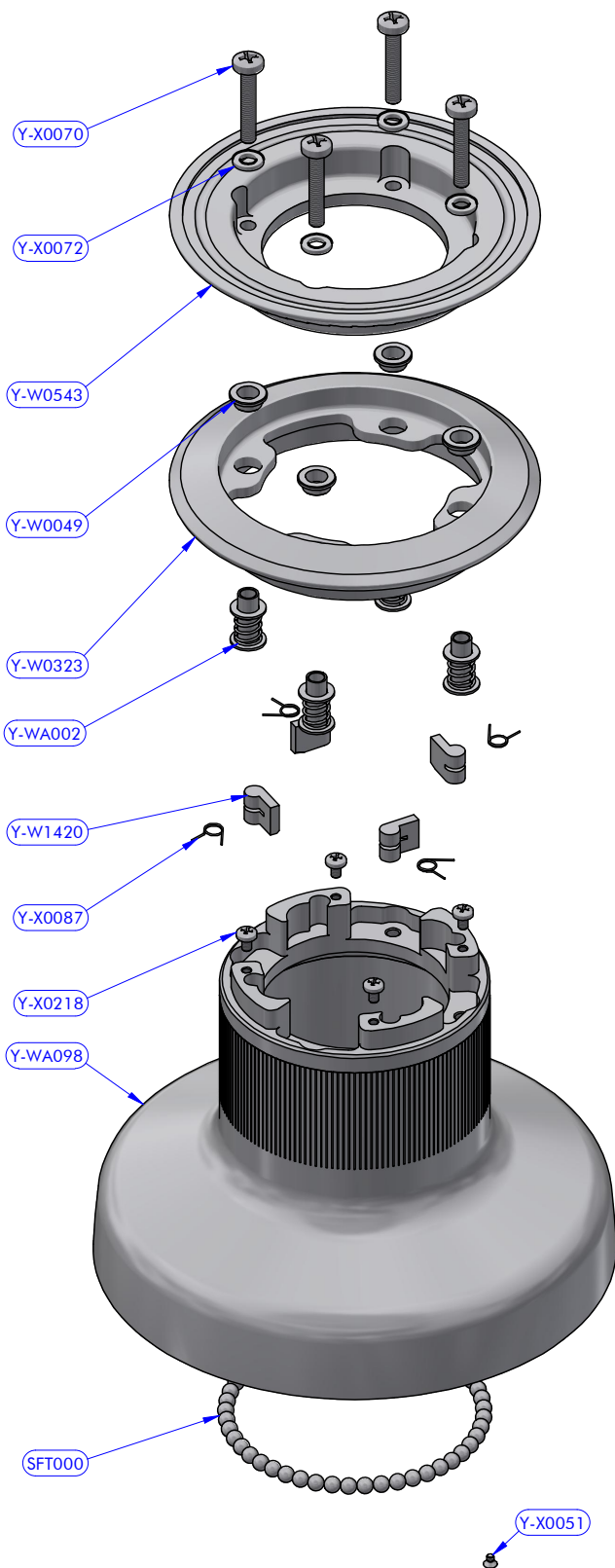
00

DWG N.

23101006

PG.

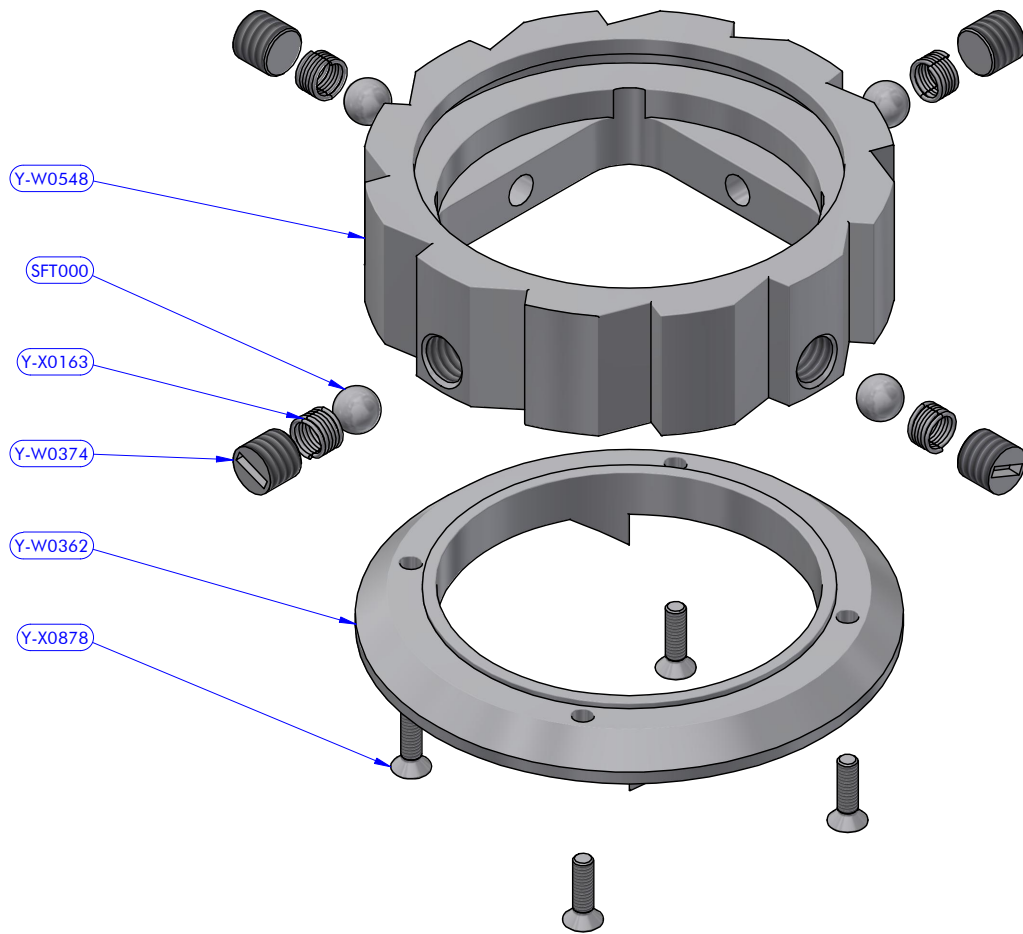
1 / 5



Cod.Y-WA279

Drum + ST disks assy XT52.3 RD

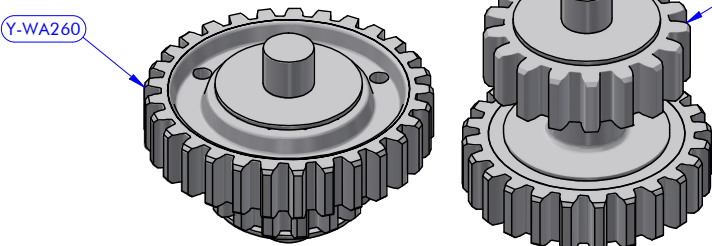
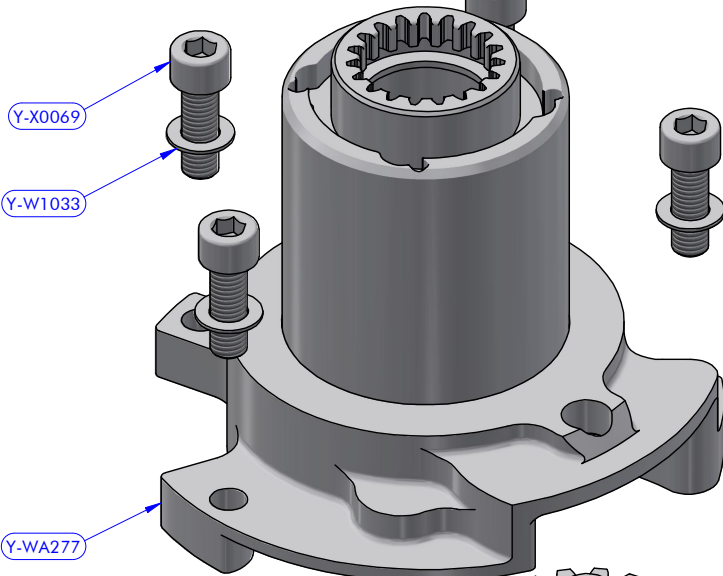
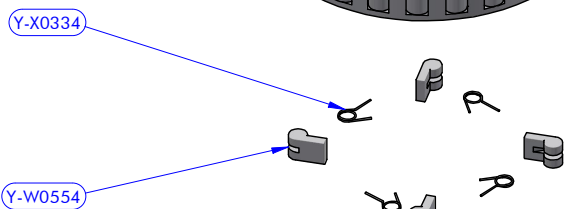
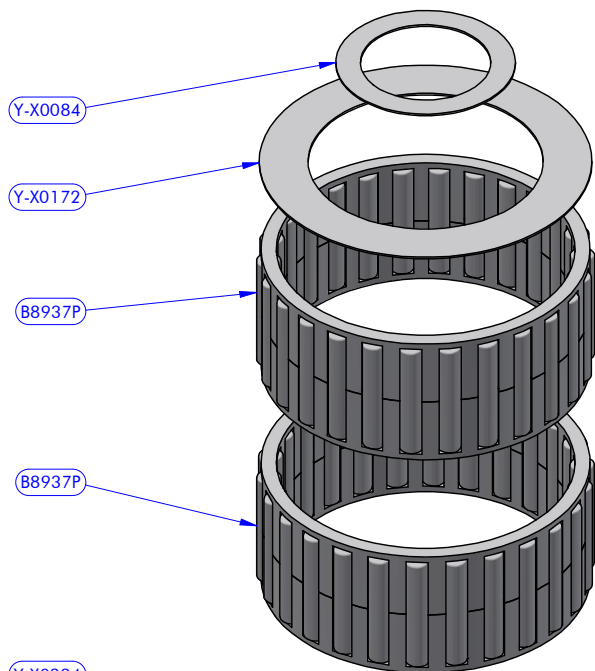
PART LIST - Y-WA279			
CODE	DESCRIPTION	MATERIAL	Q.TY
SFT000	Torlon ball	Torlon	49
Y-W0049	ST disk bush	Plastic	4
Y-W0323	ST lower disk	Aluminium	1
Y-W0543	ST central disk	Aluminium	1
Y-W1420	Pawl	S.Steel	4
Y-WA002	ST-spring assy	S.Steel	4
Y-WA098	Drum	Various	1
Y-X0051	Screw	S.Steel	1
Y-X0070	Screw	S.Steel	4
Y-X0072	S.Steel washer	S.Steel	4
Y-X0087	Torsion spring	S.Steel	4
Y-X0218	Screw	S.Steel	4



Cod.Y-WA058

XT52.3 RD - XT62.3 RD - Tow

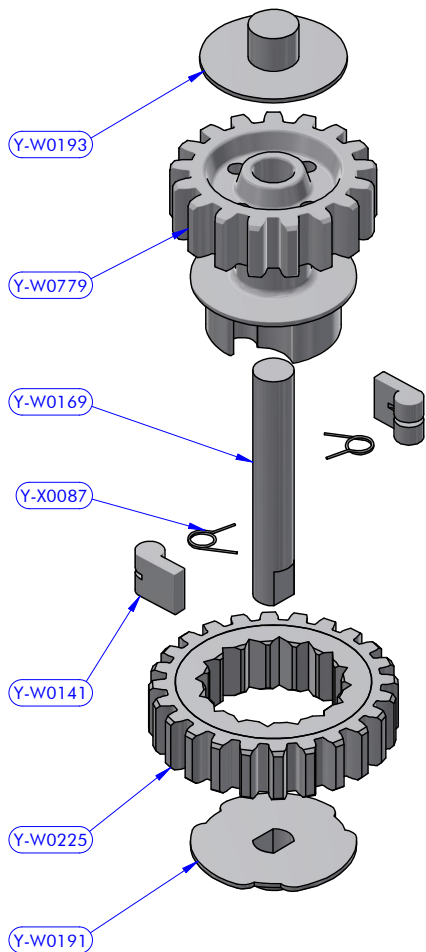
PART LIST - Y-WA058			
CODE	DESCRIPTION	MATERIAL	Q.TY
SFT000	Torlon ball	Torlon	4
Y-W0362	3 speed tow slide	Aluminium	1
Y-W0374	Flat point set screw	Teflon	4
Y-W0548	3 speed tow	Aluminium	1
Y-X0163	Compression spring	S.Steel	4
Y-X0878	Screw	S.Steel	4



Cod.Y-WA278

Base + Gears assy XT53.3 RD

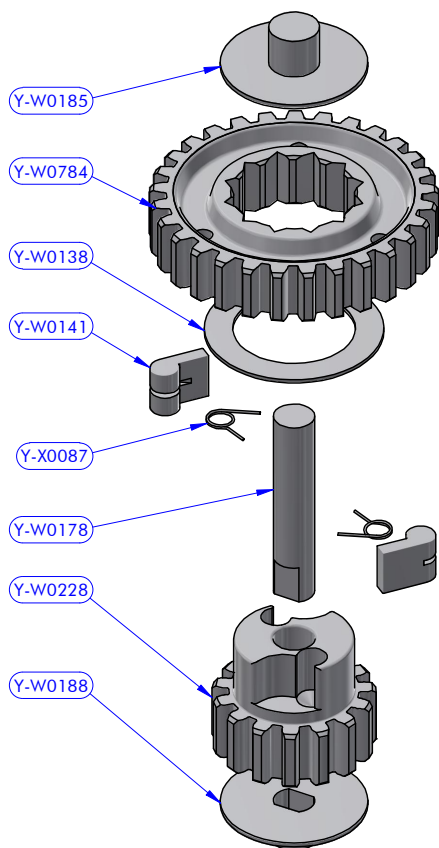
PART LIST - Y-WA278			
CODE	DESCRIPTION	MATERIAL	Q.TY
B8937P	Roller bearing	Plastic / Peek	2
Y-W0554	Pawl	Chromed brass	4
Y-W1033	S.steel washer	S.Steel	4
Y-WA259	Gears kit	Various	1
Y-WA260	Gears kit	Various	1
Y-WA277	Base + Stem	Aluminium	1
Y-X0069	Screw	S.Steel	4
Y-X0084	Washer	Tufnol	1
Y-X0172	Washer	Tufnol	1
Y-X0334	Torsion spring	S.Steel	4



Cod.Y-WA259

Gears kit XT52.3 RD Axis "B"

PART LIST - Y-WA259			
CODE	DESCRIPTION	MATERIAL	Q.TY
Y-W0141	Pawl	S.Steel	2
Y-W0169	Gear axis	S.Steel	1
Y-W0191	Gear lower washer	Plastic	1
Y-W0193	Gear upper washer	Plastic	1
Y-W0225	Gear "B1"	Bronze	1
Y-W0779	Gear "B2"	Bronze	1
Y-X0087	Torsion spring	S.Steel	2



Cod.Y-WA260

Gears kit XT52.3 RD - Axis "D" gears kit

PART LIST - Y-WA0260			
CODE	DESCRIPTION	MATERIAL	Q.TY
Y-W0138	S.steel washer	S.Steel	1
Y-W0141	Pawl	S.Steel	2
Y-W0178	Gear axis	S.Steel	1
Y-W0185	Gear upper washer	Plastic	1
Y-W0188	Gear lower washer	Plastic	1
Y-W0228	Gear "D2"	Bronze	1
Y-W0784	Gear "D1"	Bronze	1
Y-X0087	Torsion spring	S.Steel	2