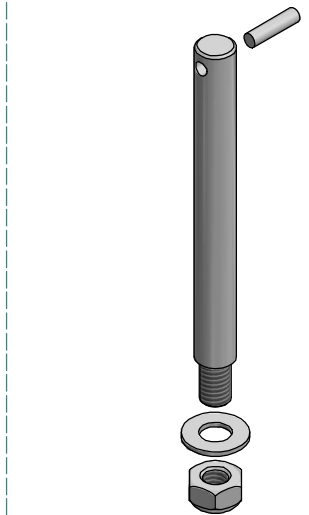
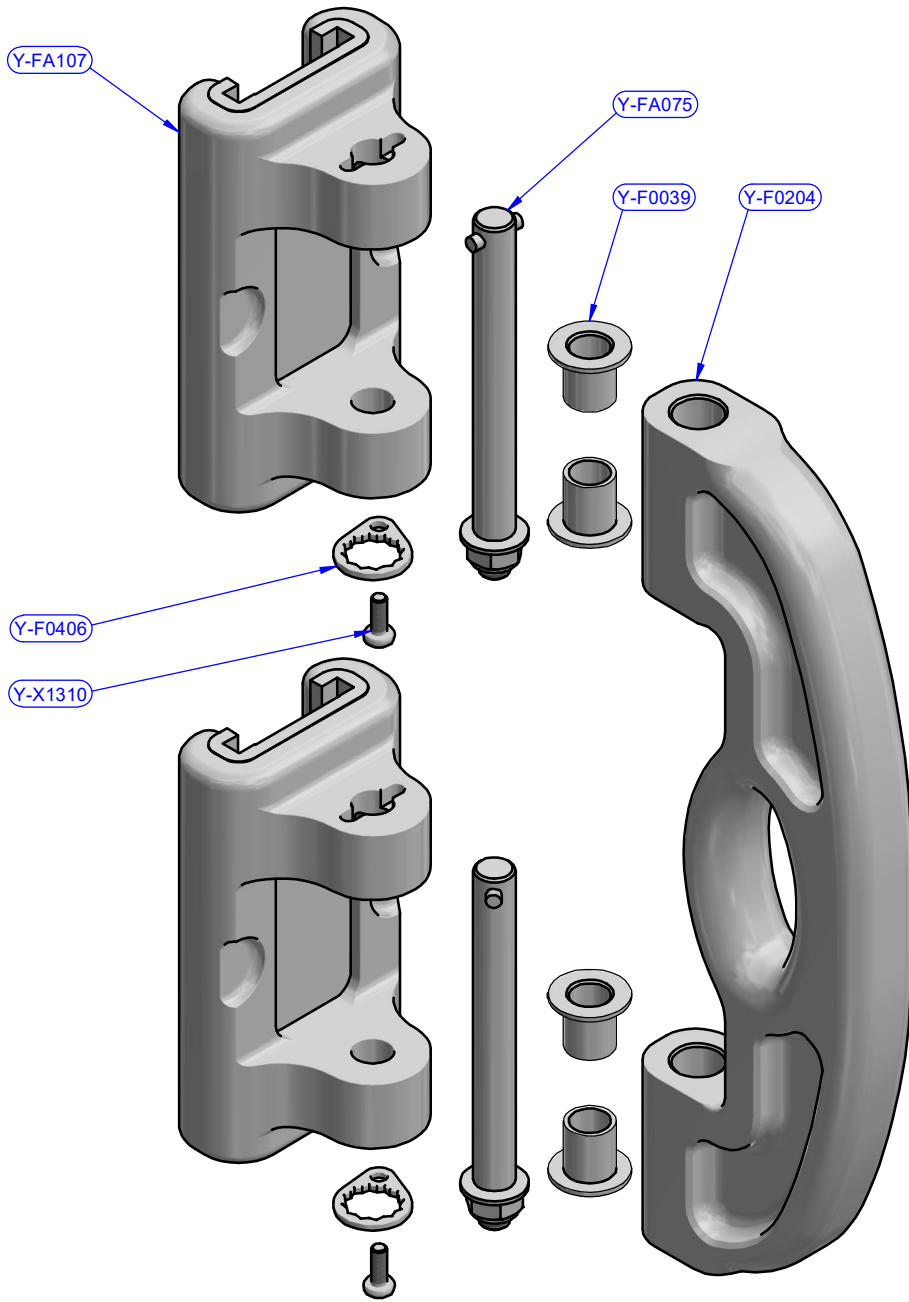


Cod.Y-FA075
Threaded pin



PART LIST

CODE	DESCRIPTION	MATERIAL	Q.TY
Y-F0039	Axis bushing	S.Steel HR	4
Y-F0204	Bracket	Aluminium	1
Y-F0406	Exagonal washer	S.Steel	2
Y-FA075	Threaded pin	Various	2
Y-FA107	Base module	Various	2
Y-X1310	Screw	S.Steel	2

antal

FAMILY HS30 series Double head slider with soft

ARTICLE nk

HS30.90/DX

DATE 08/09/2020

REV. 01

DESCRIPTION

Exploded view

MODEL CODE

DWG N. 17070403

PG. 1 / 1