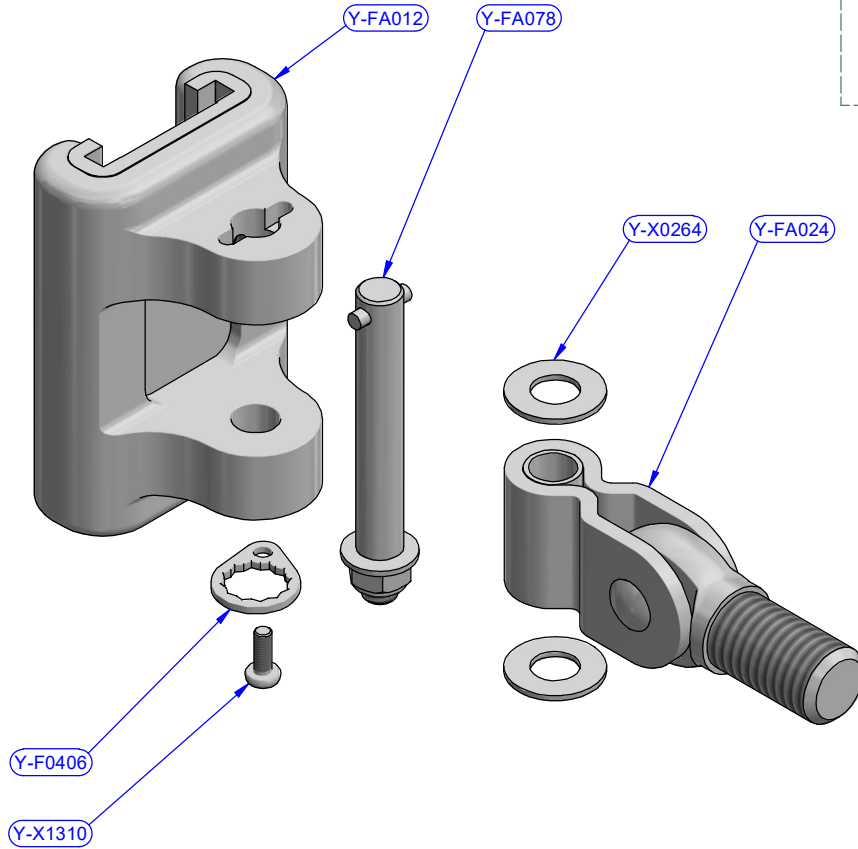
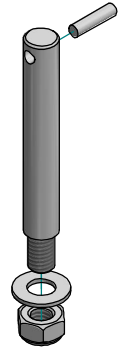


Cod.Y-FA078
Threaded pin



PART LIST

CODE	DESCRIPTION	MATERIAL	Q.TY
Y-FA024	Triaxial joint	S.Steel	1
Y-X0264	Washer	Tufnol	2
Y-FA012	Slider	Various	1
Y-FA078	Threaded pin	Various	1
Y-X1310	Screw	S.Steel	1
Y-F0406	Exagonal washer	S.Steel	1

antal

HS30 series

Slider with joint

HS30.70J/14

23/09/2020

03

FAMILY

ARTICLE

DATE

REV.

DESCRIPTION

Exploded view

MODEL CODE

DWG N.

17100601

1 / 1
PG.