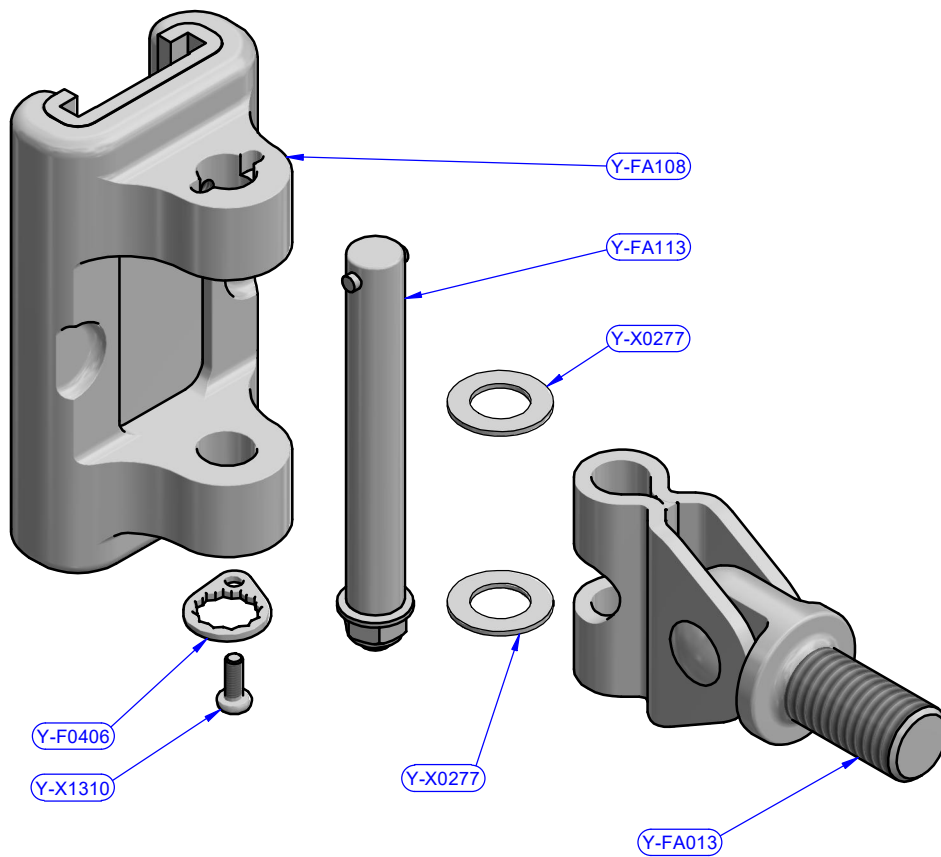
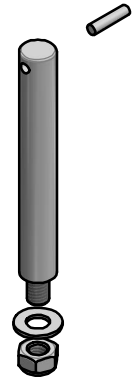


Cod.Y-FA113
Pin kit



PART LIST			
CODE	DESCRIPTION	MATERIAL	Q.TY
Y-FA013	Joint	S.Steel	1
Y-X0277	Washer	Tufnol	2
Y-FA108	Base module	Various	1
Y-FA113	Pin kit	Various	1
Y-X1310	Screw	S.Steel	1
Y-F0406	Exagonal washer	S.Steel	1

antal

FAMILY: HS30 series ARTICLE: Slider with joint

DESCRIPTION: Exploded view

MODEL CODE: **HS30.90J/14**

DATE: 23/09/2020 REV.: 05

DWG N.: 17052924 PG.: 1 / 1