

antal

Headboard Double FB32 2x L160 +
Soft-Link connection Black

FB32.160DX

5000 kg

1,75 kg

SWL

WEIGHT

17/03/2023

00

1 : 2

DATE

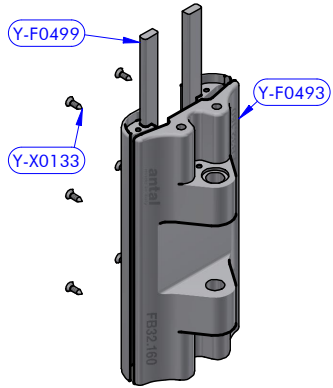
REV.

SCALE

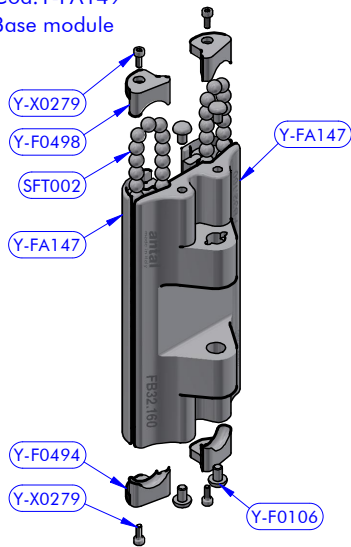
www.antal.it - antal@antal.it

This drawing is Antal's exclusive ownership, protected by law. Cannot be reproduced or handed over without preventive written consent.

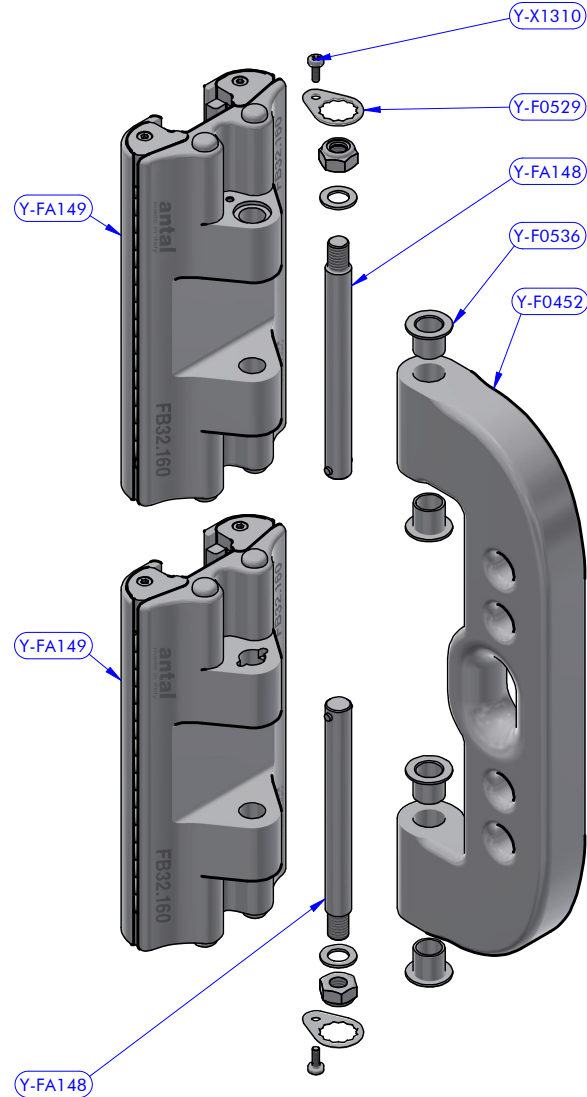
Cod.Y-FA147
Slider corps + Fibre guide



Cod.Y-FA149
Base module



Cod.Y-FA148
Threaded pin kit



PART LIST

CODE	DESCRIPTION	MATERIAL	Q.TY
Y-F0452	Bracket	Aluminium	1
Y-F0529	Exagonal washer	S.Steel	2
Y-F0536	Bushing	Chromed brass	4
Y-FA148	Threaded pin kit	S.Steel	2
Y-FA149	Base module	Various	2
Y-X1310	Screw	S.Steel	2

PART LIST - Y-FA149

CODE	DESCRIPTION	MATERIAL	Q.TY
SFT002	Torlon ball	Torlon	74
Y-F0106	Shockproof rubber	Rubber	4
Y-F0494	Front cap	Plastic	2
Y-F0498	Front cap	Plastic	2
Y-FA147	Slider corps + Fibre guide	Various	1
Y-X0279	Screw	S.Steel	4

PART LIST - Y-FA148

CODE	DESCRIPTION	MATERIAL	Q.TY
Y-F0500	Threaded axis	S.Steel HR	1
Y-W0707	Cylinder pin	S.Steel	1
Y-X0073	S.steel washer	S.Steel	1
Y-X0131	Self-Locking nut	S.Steel	1

PART LIST - Y-FA147

CODE	DESCRIPTION	MATERIAL	Q.TY
Y-F0493	Slider corps	Aluminium	1
Y-F0499	Fibre guide	Composite fibre	2
Y-X0133	Screw	S.Steel	6

00	20/03/2023	Versione originale	Luca
Rev	Data	Commento	Approvatore



DESCRIPTION	Headboard Double FB32 2x L160 + Soft-Link connection Black	MODEL CODE	FB32.160DX	DATE	17/03/2023	REV.	
	DWG N.			23031704	PG.	1 / 1	