

antal

Slider with joint FB32 series L160 Pin
M14 x 28 asimetric

DESCRIPTION

FB32.160JA14

MODEL CODE

2500

SWL

1,15 kg

WEIGHT

11/03/2022

DATE

00

REV.

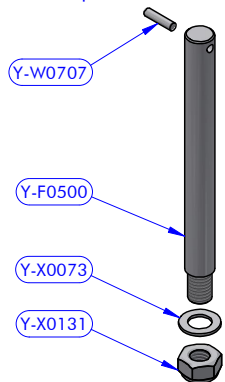
1 : 2

SCALE

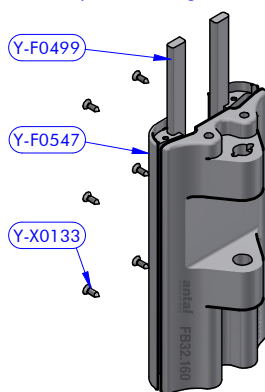
www.antal.it - antal@antal.it

This drawing is Antal's exclusive ownership, protected by law. Cannot be reproduced or handed over without preventive written consent.

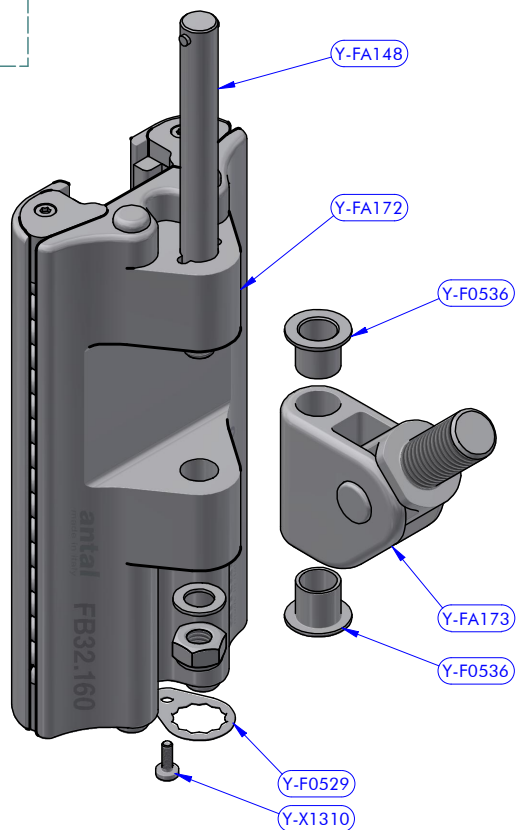
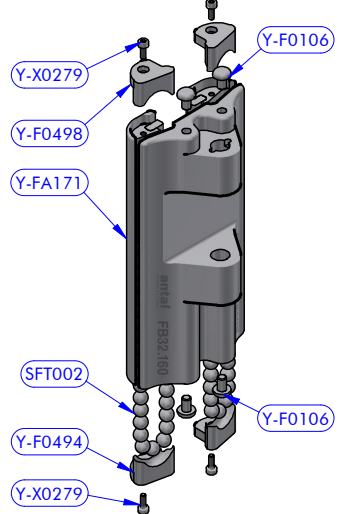
Cod.Y-FA148
Threaded pin kit



Cod.Y-FA171
Slider corps + Fibre guide



Cod.Y-FA172
Base module



PART LIST

CODE	DESCRIPTION	MATERIAL	Q.TY
Y-F0529	Exagonal washer	S.Steel	1
Y-F0536	Bushing	Chromed brass	2
Y-FA148	Threaded pin kit	S.Steel	1
Y-FA172	Base module	Various	1
Y-FA173	Triaxial joint	Various	1
Y-X1310	Screw	S.Steel	1

PART LIST - Y-FA172

CODE	DESCRIPTION	MATERIAL	Q.TY
SFT002	Torlon ball	Torlon	74
Y-F0106	Shockproof rubber	Rubber	4
Y-F0494	Front cap	Plastic	2
Y-F0498	Front cap	Plastic	2
Y-FA171	Slider corps + Fibre guide	Various	1
Y-X0279	Screw	S.Steel	4

PART LIST - Y-FA148

CODE	DESCRIPTION	MATERIAL	Q.TY
Y-F0500	Threaded axis	S.Steel HR	1
Y-W0707	Cylinder pin	S.Steel	1
Y-X0073	S.steel washer	S.Steel	1
Y-X0131	Self-Locking nut	S.Steel	1

PART LIST - Y-FA171

CODE	DESCRIPTION	MATERIAL	Q.TY
Y-F0499	Fibre guide	Composite fibre	2
Y-F0547	Slider corps	Aluminium	1
Y-X0133	Screw	S.Steel	6

PART LIST - Y-FA173

CODE	DESCRIPTION	MATERIAL	Q.TY
Y-F0496	Threaded pin	S.Steel HR	1
Y-F0497	Cylinder pin	S.Steel	1
Y-F0548	Joint cheekplate	S.Steel	1

antal

Slider with joint FB32 series L160 Pin
M14 x 28 asimmetric

FB32.160JA14

11/03/2022

DATE REV.

22031140

DWG N. PG.

1 / 1

DESCRIPTION

MODEL CODE