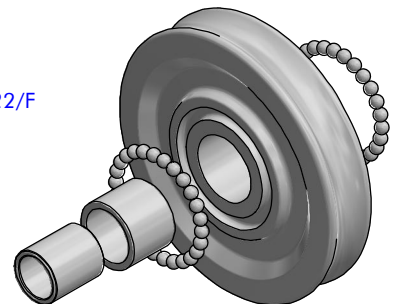


PART LIST

CODE	DESCRIPTION	MATERIAL	Q.TY
Y-S0311	Lower cheekplate	Aluminium	1
Y-X0017	Screw bushing	Mekton	1
Y-B0671	Pipe spacer	S.Steel	1
Y-S0320	Spindle	S.Steel	2
Y-X0093	Washer	S.Steel	2
Y-X0833	Nut	S.Steel	2
Y-X0329	Washer	Tufnol	2
Y-S0314	Upper cheekplate	Aluminium	1
Y-B0234	Cap	Aluminium	2
Y-S0336	Screw	S.Steel	1
Y-L0153	Stud	S.Steel	2
10022/F	Sheave	Mekton	1
Y-S0285	Locking cam	Aluminium	1
Y-S0316	Bushing	Plastic	1
Y-S0315	Bushing	Plastic	1
Y-S0318	Torsion spring	S.Steel	1

Cod.10022/F  
Sheave



**antal**

Stopper deck-blocks

Stopper deck block

FAMILY

ARTICLE

DESCRIPTION

Exploded view

**851.100/RIGHT**

MODEL CODE

30/07/2019

DATE

00

REV.

19072904

DWG N.

1 / 1

PG.