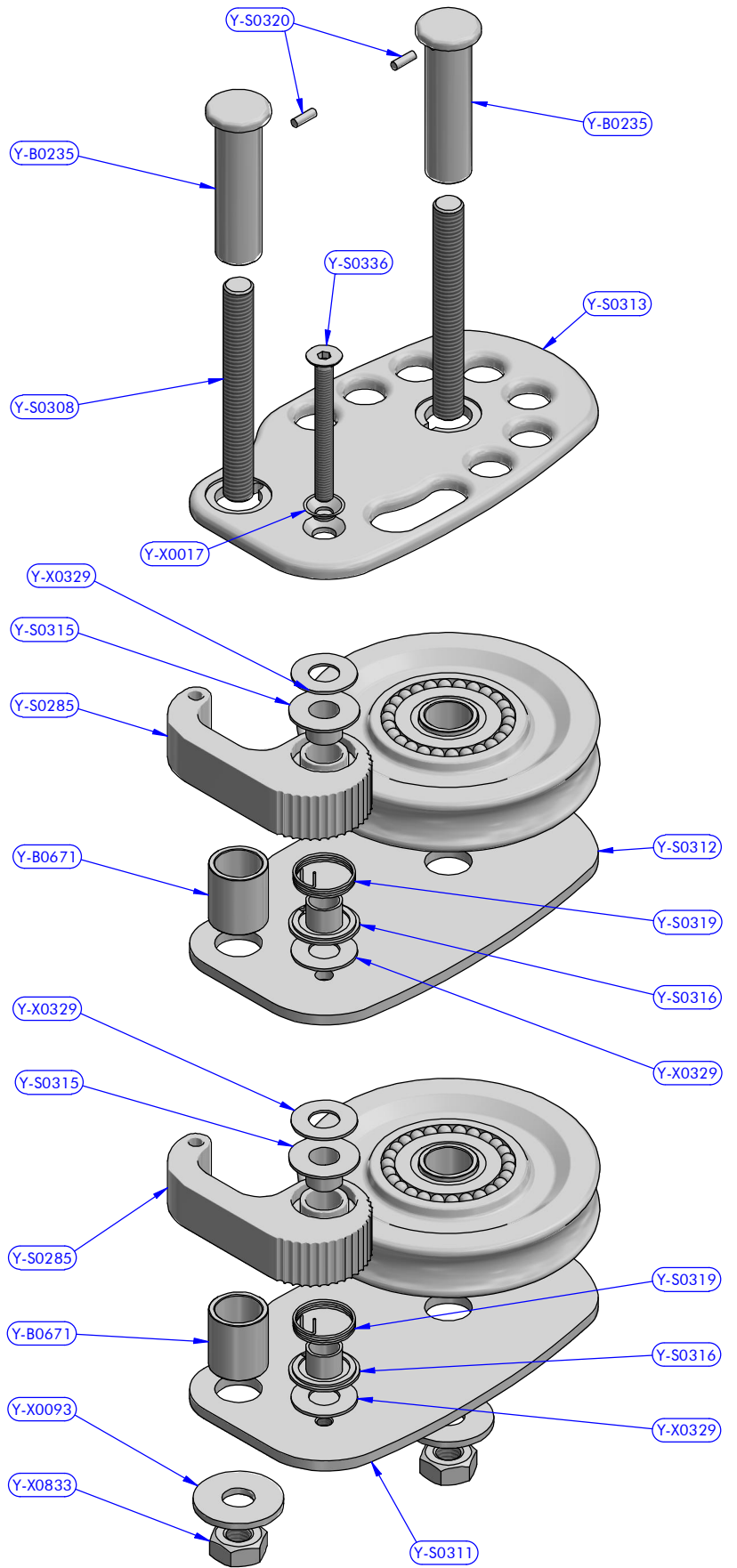
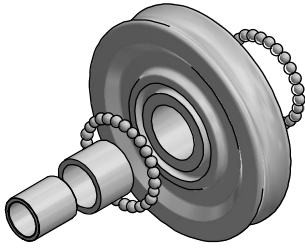


Cod.10022/F
Sheave



PART LIST

CODE	DESCRIPTION	MATERIAL	Q.TY
10022/F	Sheave	Mekton	2
Y-B0235	Cap	Aluminium	2
Y-B0671	Pipe spacer	S.Steel	2
Y-S0285	Locking cam	Aluminium	2
Y-S0308	Stud	S.Steel	2
Y-S0311	Lower cheekplate	Aluminium	1
Y-S0312	Middle cheekplate	N.D.	1
Y-S0313	Upper cheekplate	Aluminium	1
Y-S0315	Bushing	Plastic	2
Y-S0316	Bushing	Plastic	2
Y-S0319	Torsion spring	S.Steel	2
Y-S0320	Spindle	S.Steel	2
Y-S0336	Screw	S.Steel	1
Y-X0017	Screw bushing	Mekton	1
Y-X0093	Washer	S.Steel	2
Y-X0329	Washer	Tufnol	4
Y-X0833	Nut	S.Steel	2

antal

Stopper deck-blocks

Stopper deck block

852.100/LEFT

30/07/2019

00

FAMILY

ARTICLE

DATE

REV.

DESCRIPTION

Exploded view

MODEL CODE

DWG N.

18121004

1 / 1

PG.