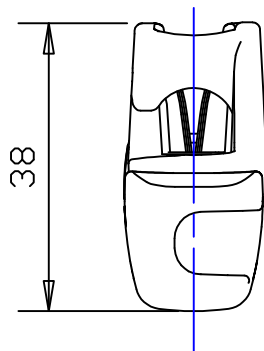
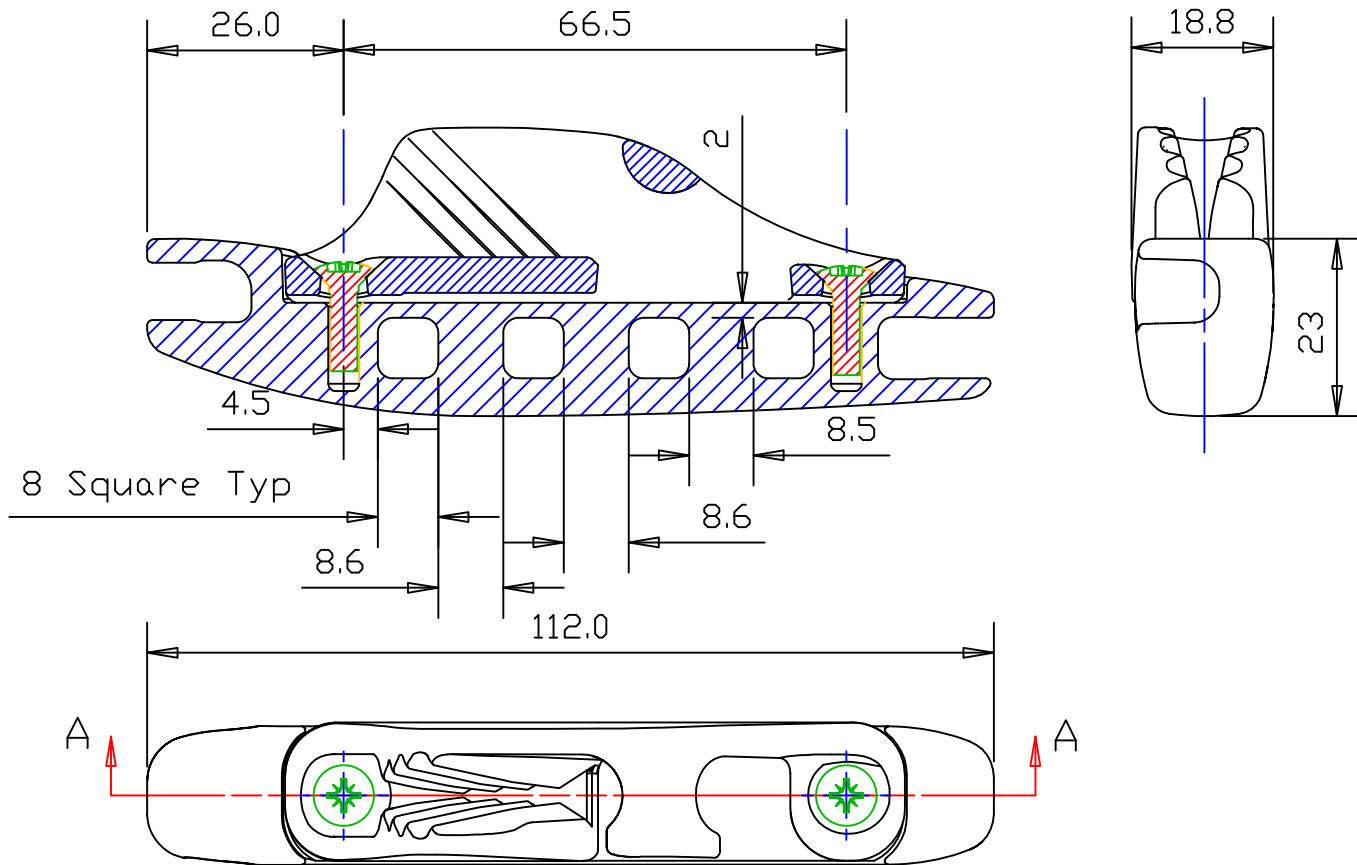


Ø4-6MM
5/32" 1/4"



Section 'A'A'



Clamcleats Limited
Watchmead
Welwyn Garden City
Hertfordshire AL7 1AP
England

Telephone +44 (0)1707 330101

Fax +44 (0)1707 321269

Email sales@clamcleat.com

www.clamcleat.com



Scale 1:1

All dimensions in mm.

Issue: 1 Feb 2010
ID827-17.dwg

Material:
Aluminium & Nylon

Installation Drawing for:-

CL827-17

Aero Cleat with CL217 Mk1