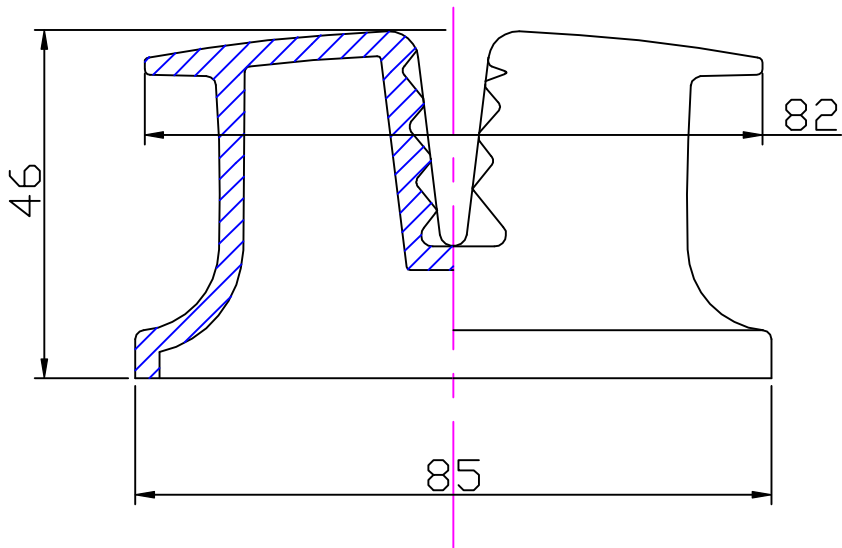
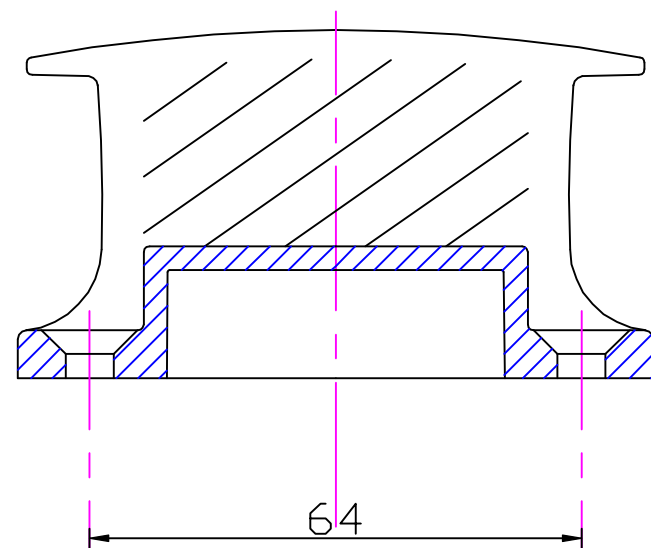


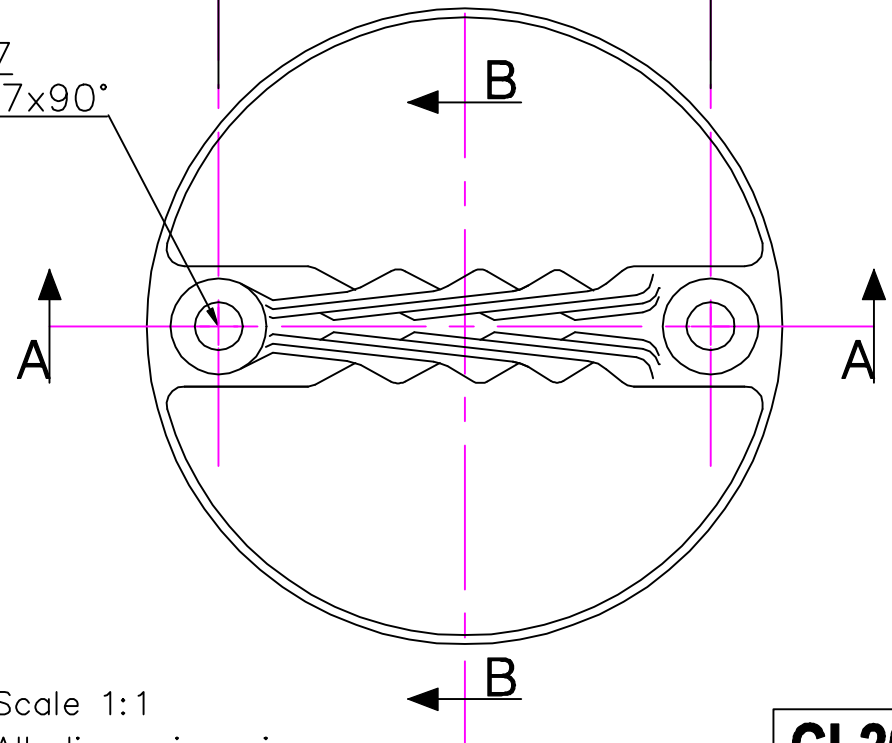
Half Section 'BB'



Section 'AA'



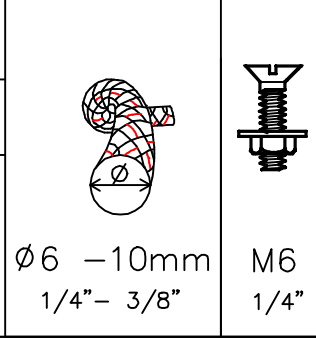
2 Holes $\phi 6.7$
countersunk $\phi 12.7 \times 90^\circ$



Issue: 1. Jan 2001
ID208.dwg

Material:
Nylon

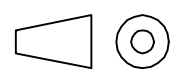
Installation Drawing for: -
CL208
Clam Bollard



Clamcleat®
Rope cleats

Clamcleats Limited
Watchmead
Welwyn Garden City
Hertfordshire AL7 1AP
England

Telephone +44 (0)1707 330101
Fax +44 (0)1707 321269
<http://www.clamcleat-rope-cleats.com>



Scale 1:1
All dimensions in mm.

CL208