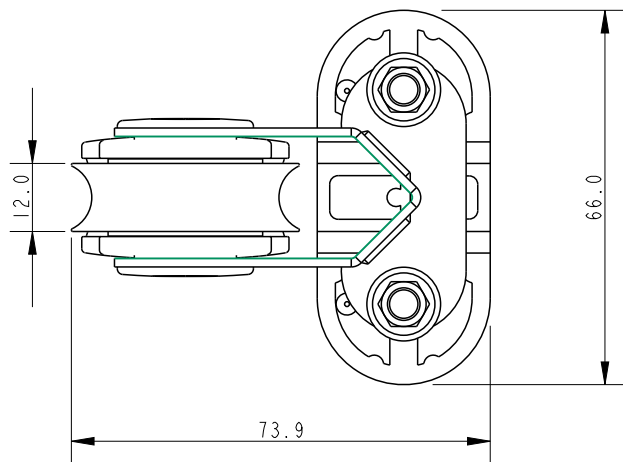


SCALE 1:1



DIMENSIONS FOR REFERENCE ONLY
allenbrothers.co.uk
+44(0)1621 772477

Specification

Length mm	Line Diameter mm	Shackle Pin mm	Breaking Load kg	MWL kg	Weight g	Bearing Detail
73	10	4	800	180	142	Stainless Steel

Title	Description
A2040SC-676-REF	Single With Swivel And A.676 Cam Cleat