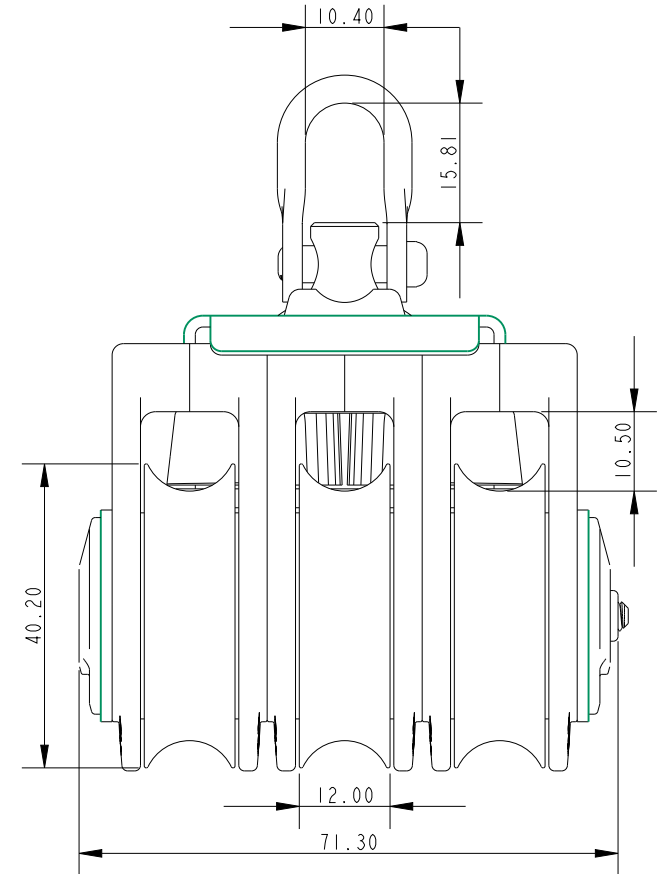
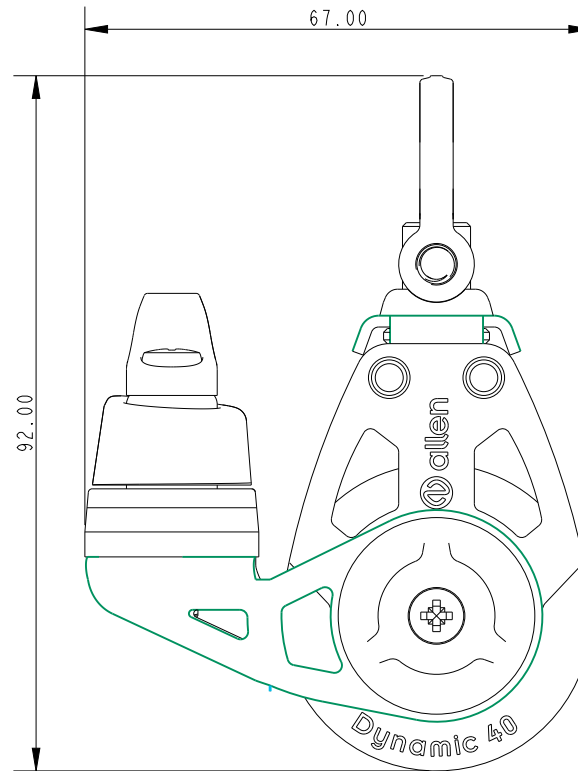


SCALE 1:1



Specification

Length mm	Line Diameter mm	Shackle Pin mm	Breaking Load kg	MWL kg	Weight g
92.00	10	5	1400	750	239

DIMENSIONS FOR REFERENCE ONLY
 allenbrothers.co.uk
 +44(0)1621 772477

Title	Description
A20403-77-REF	Triple with A..77 Cleat