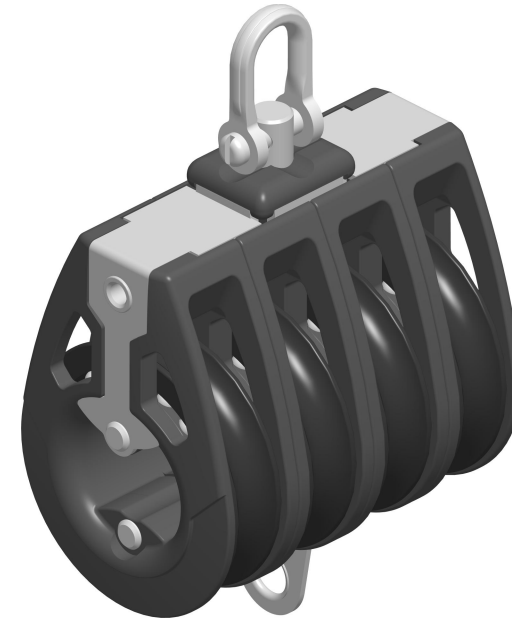
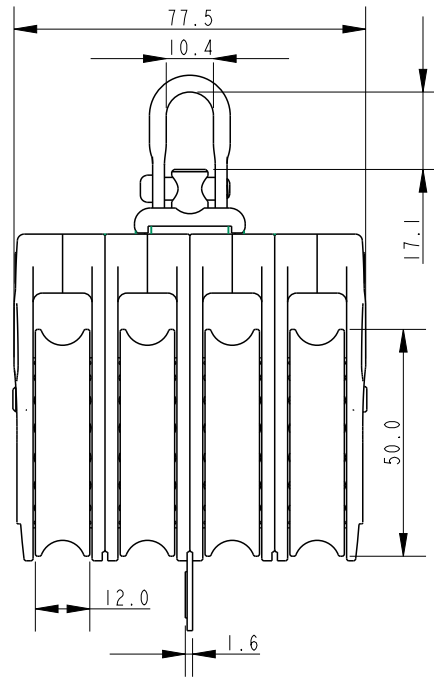


SCALE 3:5



SCALE 3:4

DIMENSIONS FOR REFERENCE ONLY
 allenbrothers.co.uk
 +44(0)1621 772477

Specification						
Length mm	Line Diameter mm	Shackle Pin mm	Breaking Load kg	MWL kg	Weight g	Bearing Detail
122.4	10	5	950	470	274	Stainless Steel

Title	Description
A2057-REF	Quad with Becket